

DRAFTING PORTFOLIO

MARSHALL MADISON TUNSTALL

FALL 2021

TABLE OF CONTENTS

MECHANICAL MODELING

- FLOATING REAMER HOLDER SECTION VIEW SOLIDWORKS
- FLOATING REAMER HOLDER EXPLODE VIEW SOLIDWORKS
- FLOATING REAMER HOLDER BODY SOLIDWORKS
- FLOATING REAMER HOLDER SLEEVE SOLIDWORKS
- FLOATING REAMER HOLDER PIVOT SOLIDWORKS
- FLOATING REAMER HOLDER COVER PLATE SOLIDWORKS
- FLOATING REAMER HOLDER PIVOT PLATE SOLIDWORKS
- FLOATING REAMER HOLDER BEARING BALL SEAT SOLIDWORKS
- FIXTURE ASSEMBLY AUTOCAD

INSTRUMENTATION DRAWINGS

- PILOT PLANT P&ID CURRENT AUTOCAD
- PILOT PLANT PFD HISTORIC SHEET 1 AUTOCAD
- PILOT PLANT PFD HISTORIC SHEET 2 AUTOCAD
- PILOT PLANT P&ID HISTORIC SHEET 1 AUTOCAD
- PILOT PLANT P&ID HISTORIC SHEET 2 AUTOCAD
- FUEL OIL TO FURNACE LOOP AUTOCAD
- COMPRESSOR LOOP AUTOCAD
- SIGHTGLASS INSTALLATION AUTOCAD
- THERMOWELL INSTALLATION AUTOCAD

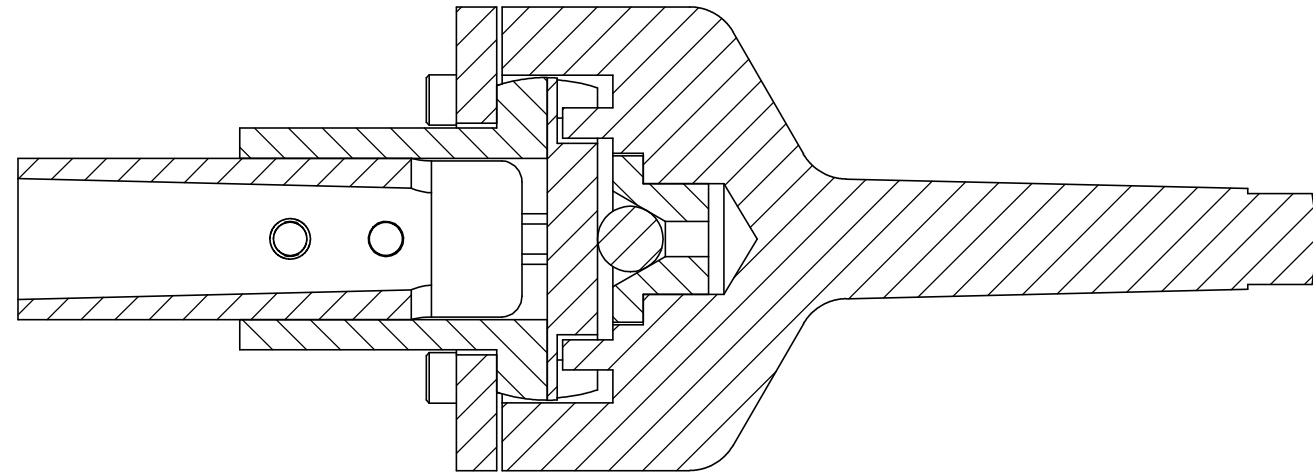
ELECTRICAL DRAWINGS

- WIRING SCHEMATIC AUTOCAD
- MOTOR SCHEMATIC AUTOCAD
- PLC PANEL AUTOCAD
- BLOCK DIAGRAM AUTOCAD
- ONE LINE DIAGRAM AUTOCAD
- RISER DIAGRAM AUTOCAD

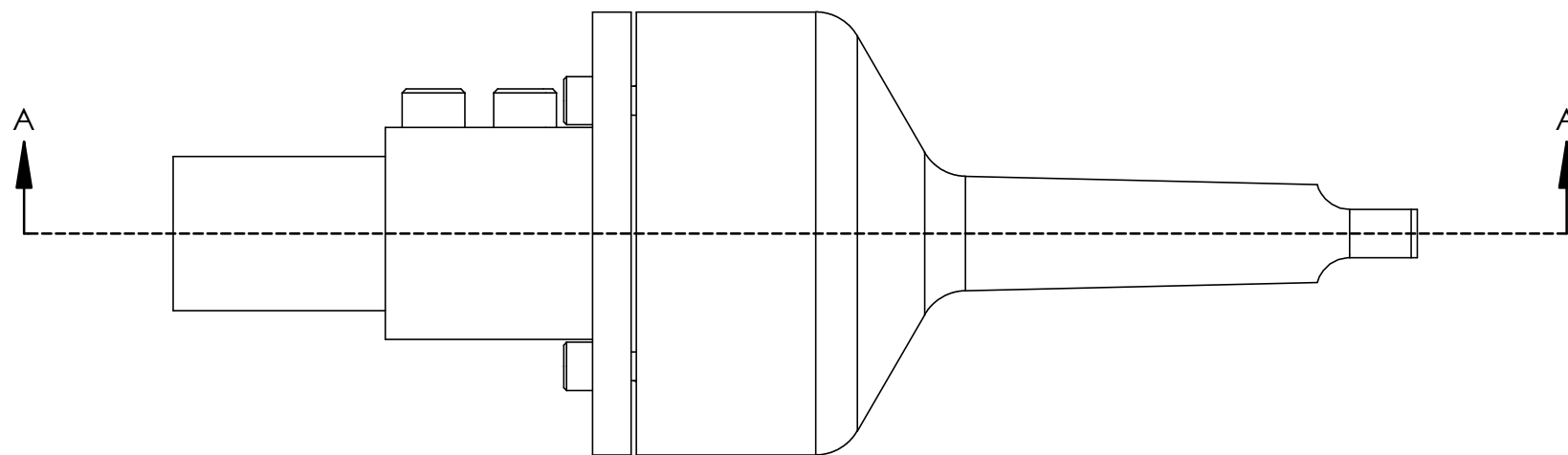
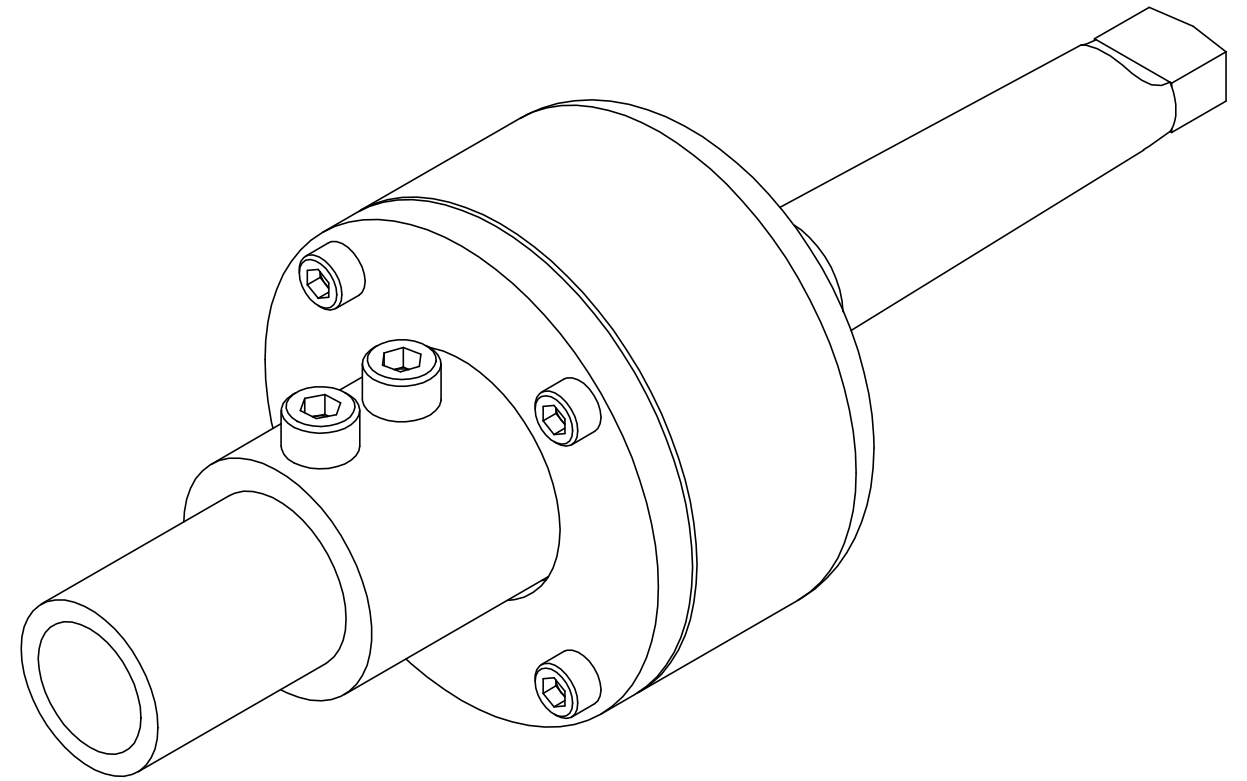
ARCHITECTURAL DRAWINGS

- OFFICE BUILDING 3D VIEW REVIT
- OFFICE BUILDING LEVEL 1 REVIT
- OFFICE BUILDING LEVEL 2 REVIT
- OFFICE BUILDING LEVEL 3 REVIT
- OFFICE BUILDING CROSS SECTION REVIT
- OFFICE BUILDING LONGITUDINAL SECTION REVIT
- OFFICE BUILDING BREAK ROOM REVIT
- OFFICE BUILDING RESTROOM REVIT
- GAZEBO AUTOCAD
- CIVIL DRAWING AUTOCAD

MECHANICAL MODELING

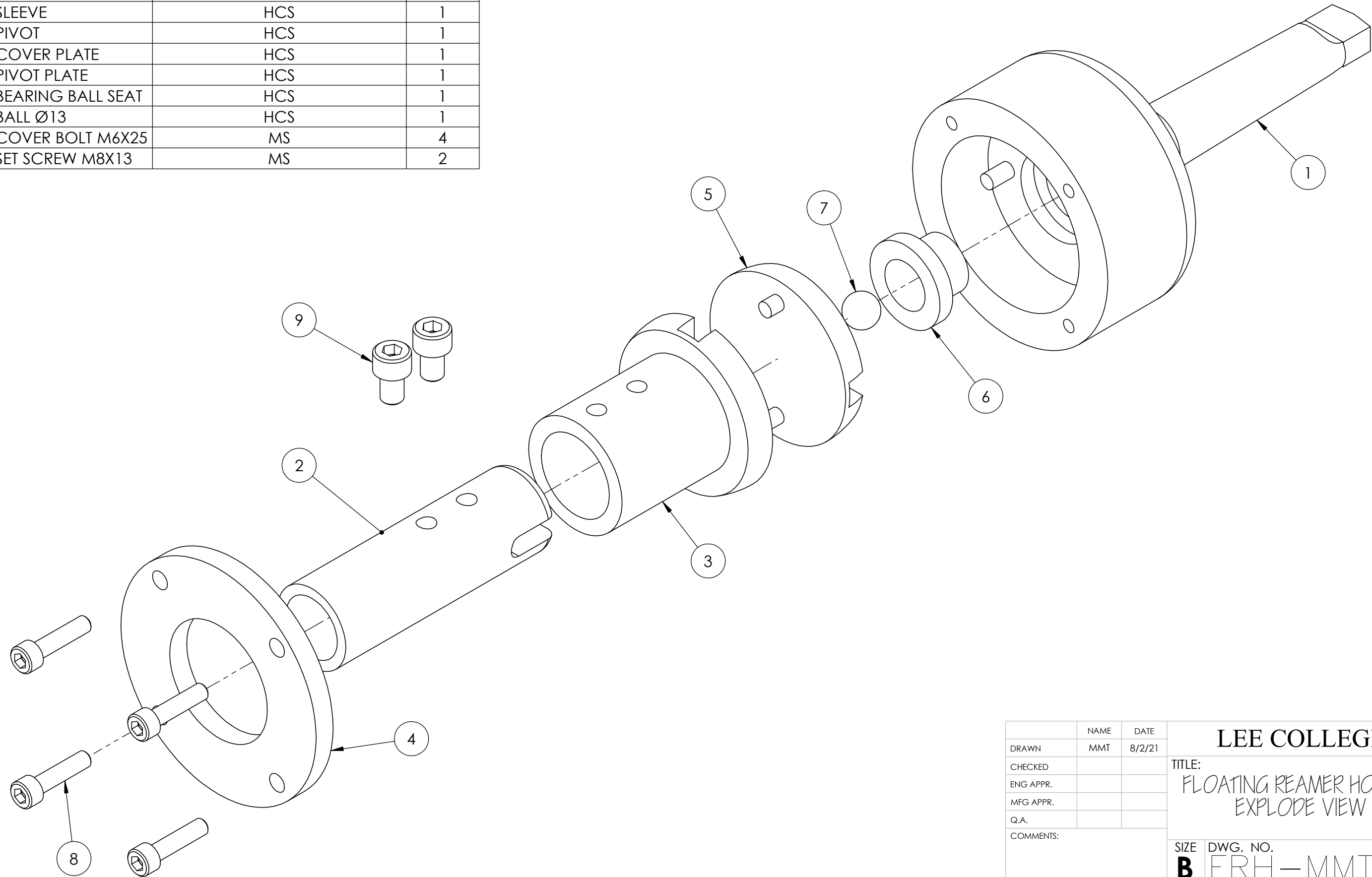


SECTION A-A
SCALE 1 : 1.5

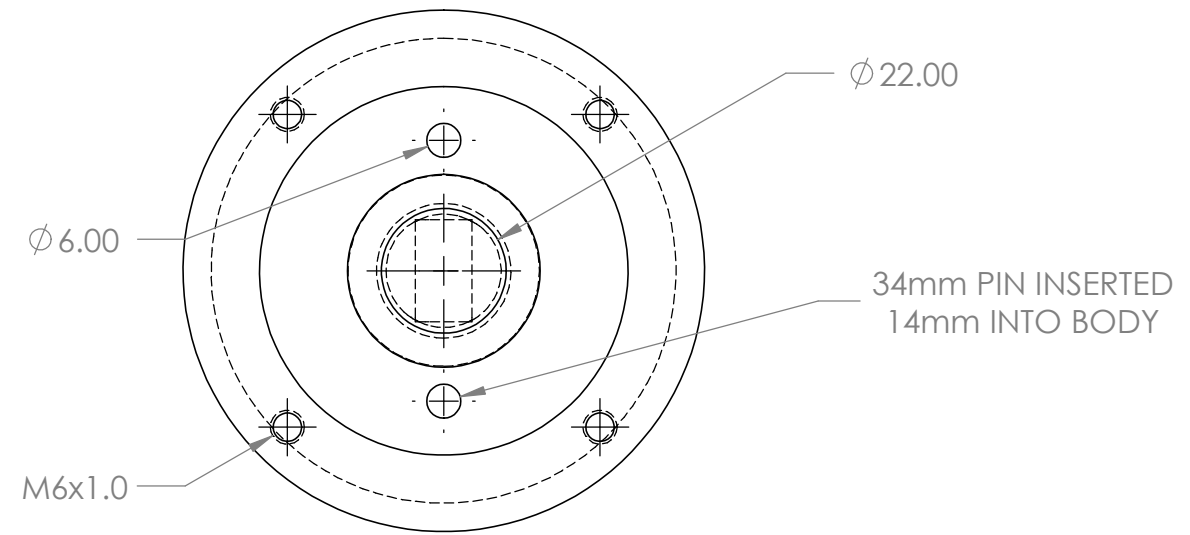
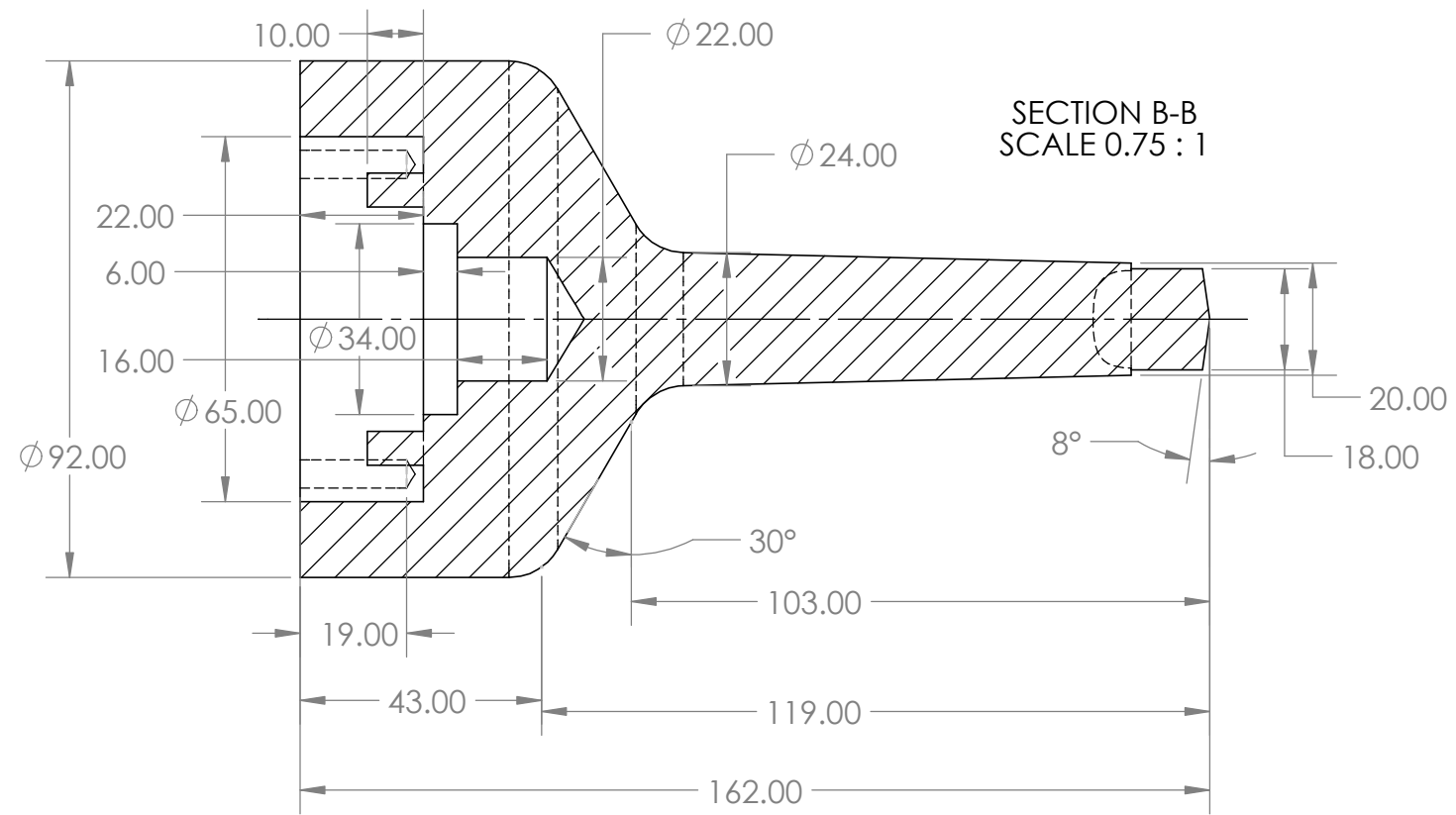
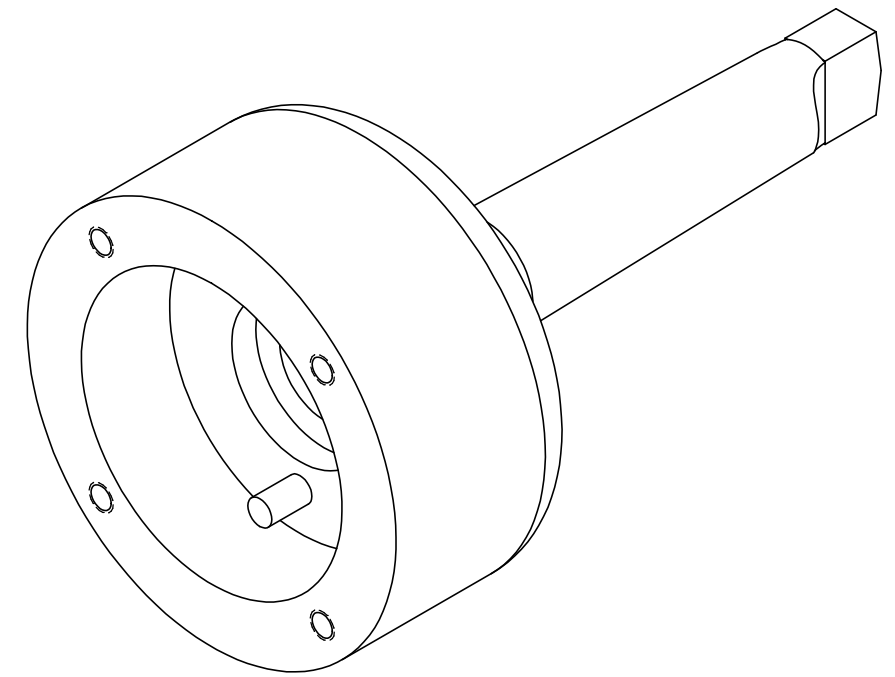
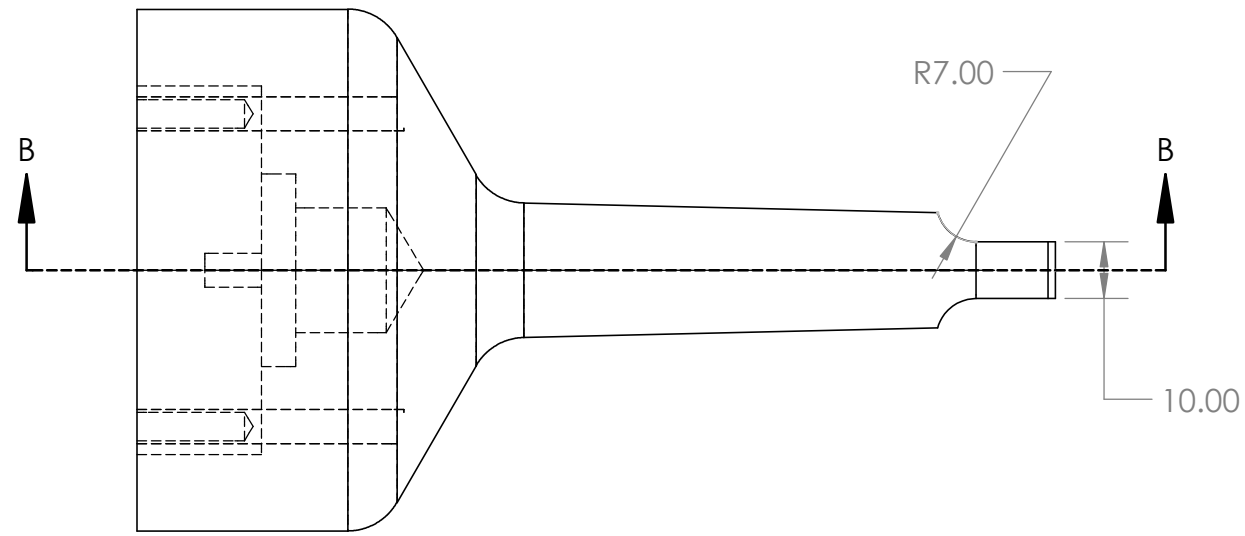


	NAME	DATE	LEE COLLEGE	
DRAWN	MMT	8/2/21		
CHECKED			TITLE: FLOATING REAMER HOLDER SECTION VIEW	
ENG APPR.				
MFG APPR.				
Q.A.				
COMMENTS:				
	SIZE	DWG. NO.	REV	
	B	FRH-MMT		
	SCALE: 1:5	WEIGHT:	SHEET 1 OF 8	

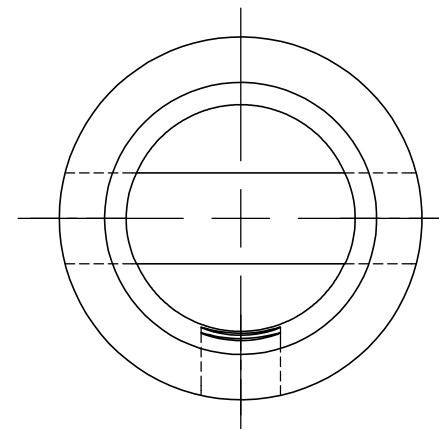
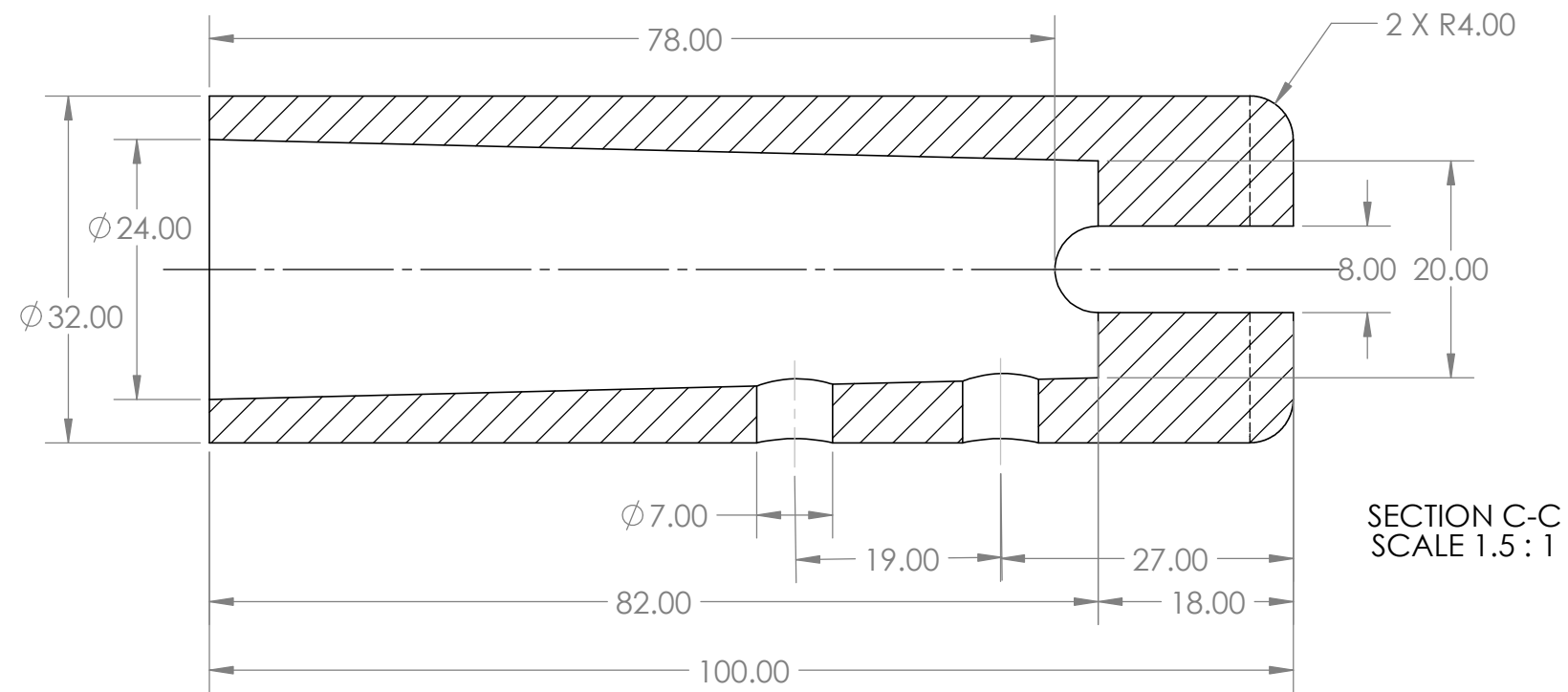
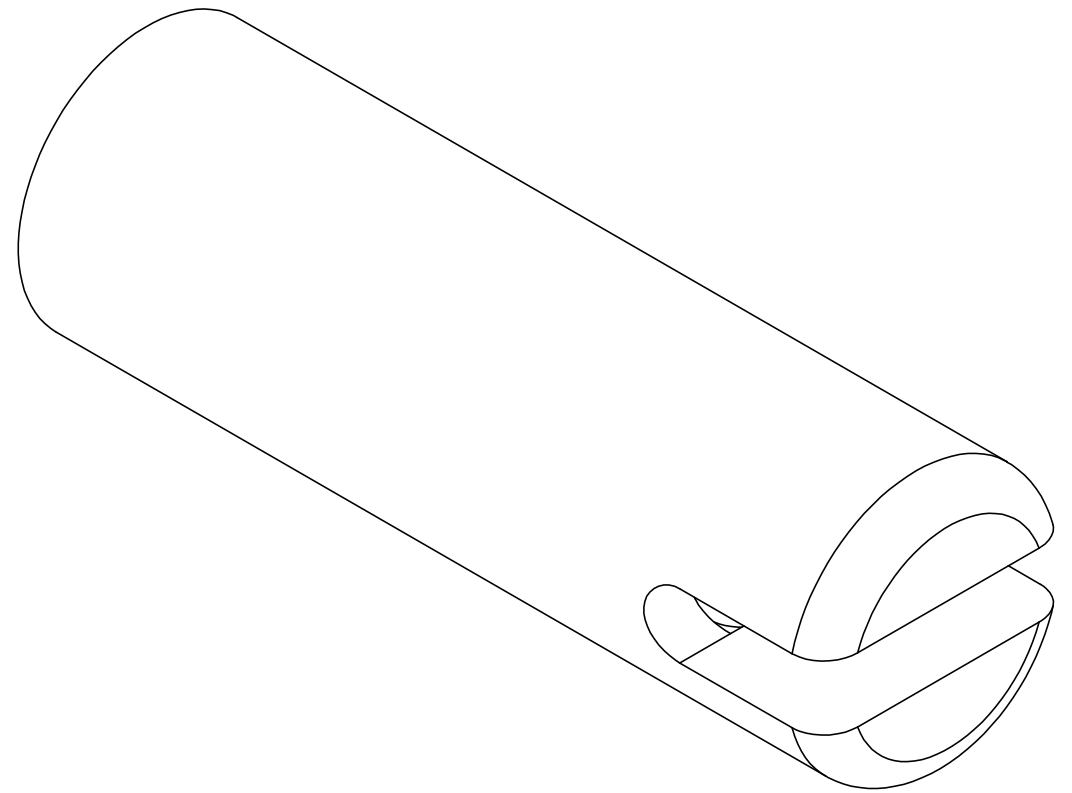
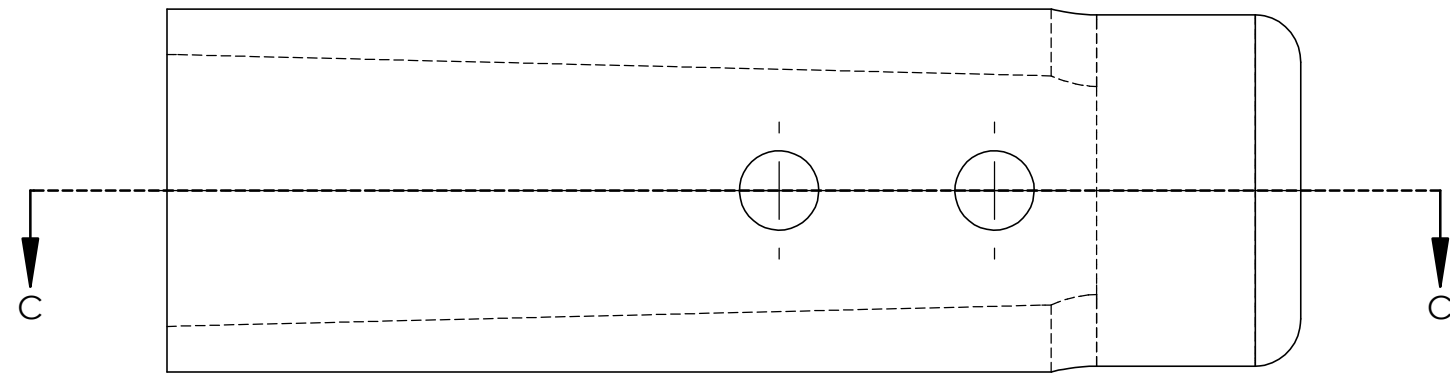
ITEM NO.	PART NUMBER	MATERIAL	QTY.
1	BODY	HCS	1
2	SLEEVE	HCS	1
3	PIVOT	HCS	1
4	COVER PLATE	HCS	1
5	PIVOT PLATE	HCS	1
6	BEARING BALL SEAT	HCS	1
7	BALL Ø13	HCS	1
8	COVER BOLT M6X25	MS	4
9	SET SCREW M8X13	MS	2



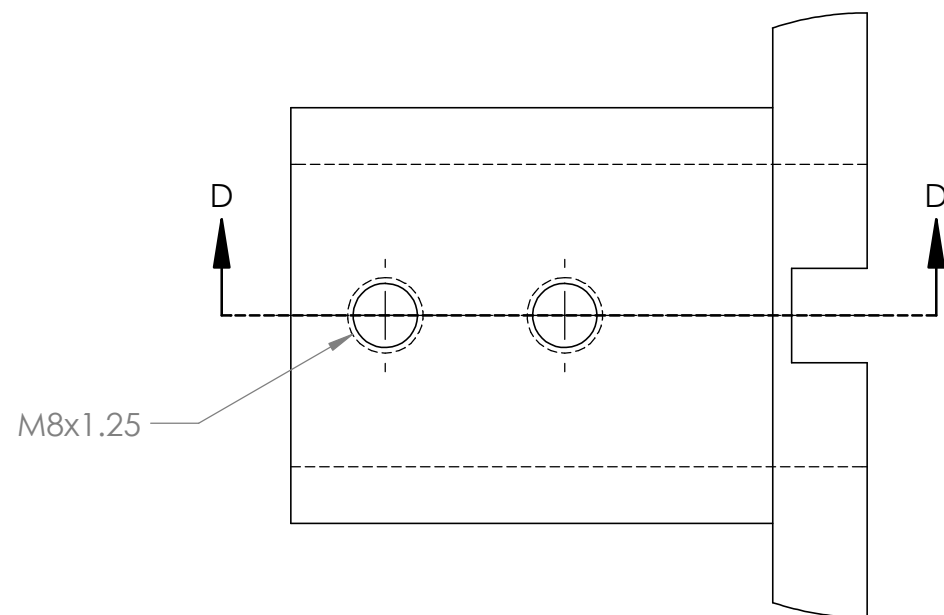
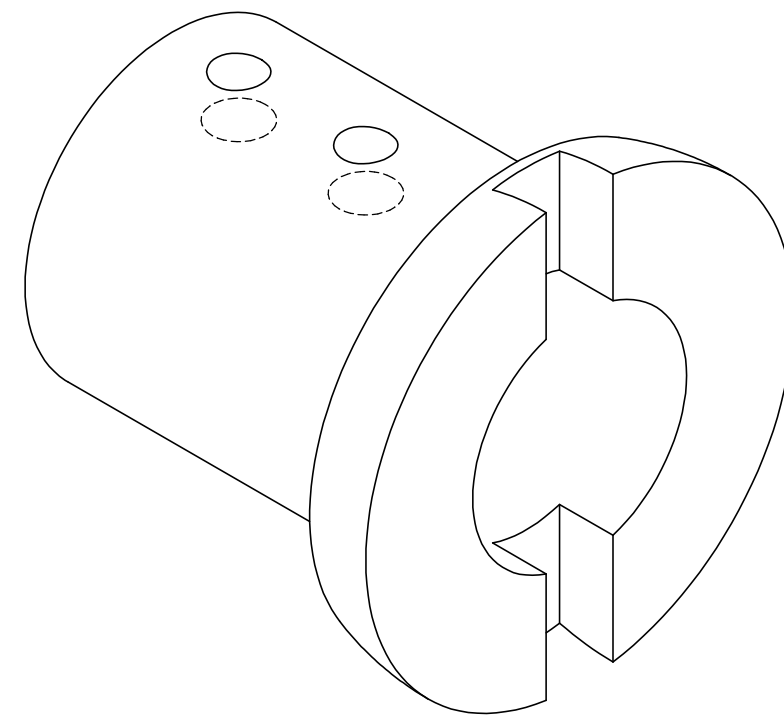
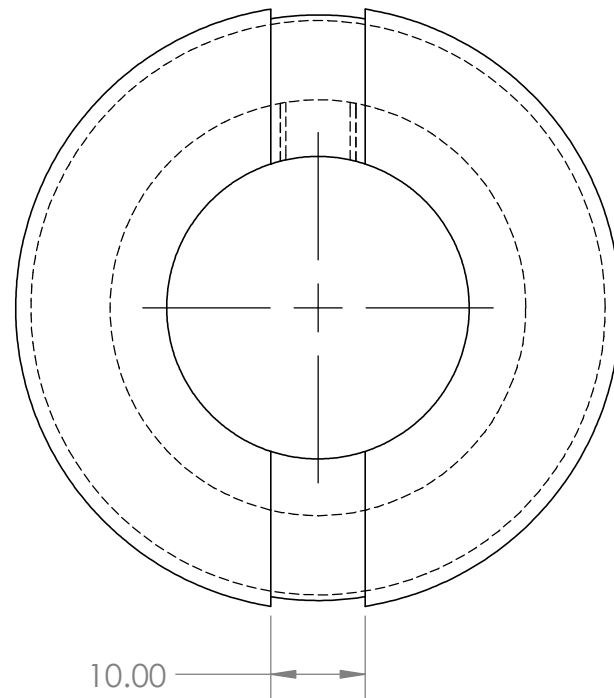
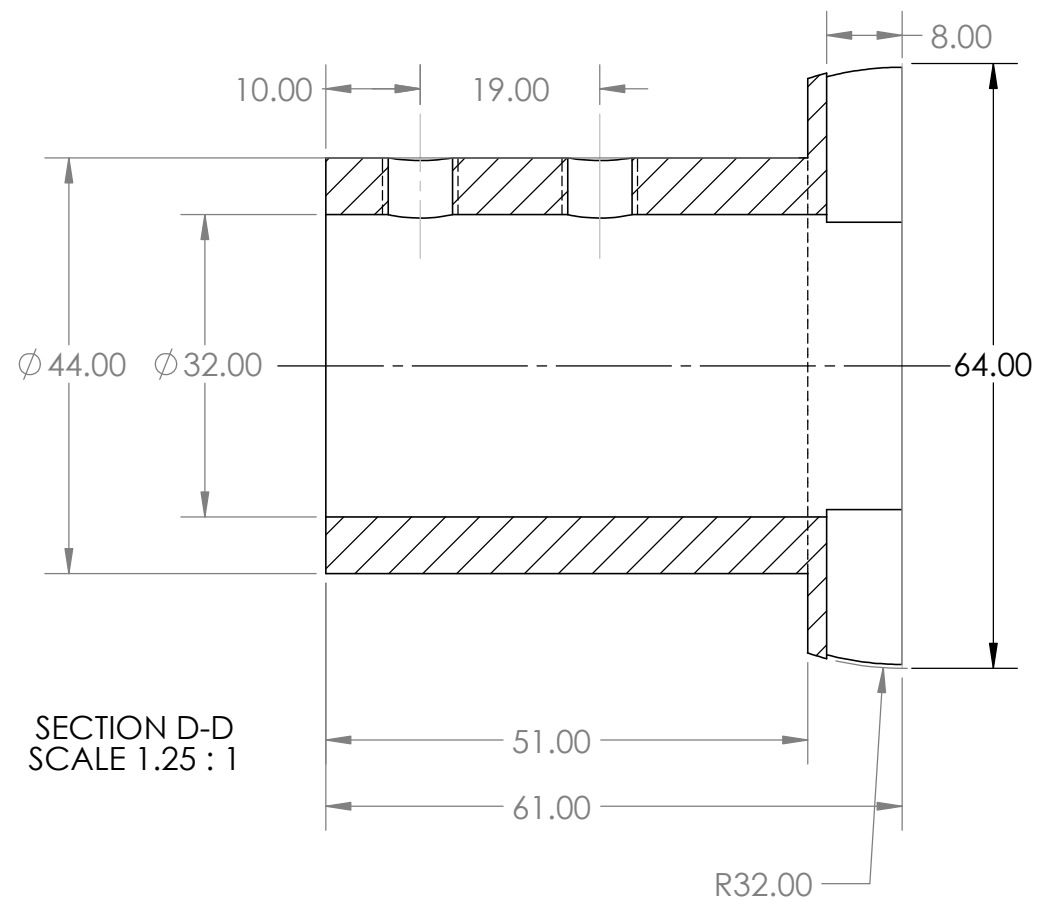
	NAME	DATE	LEE COLLEGE		
DRAWN	MMT	8/2/21			
CHECKED			TITLE: FLOATING REAMER HOLDER EXPLODE VIEW		
ENG APPR.					
MFG APPR.					
Q.A.					
COMMENTS:			SIZE	DWG. NO.	REV
			B	FRH-MMT	
	SCALE: 1:5	WEIGHT:	SHEET 2 OF 8		



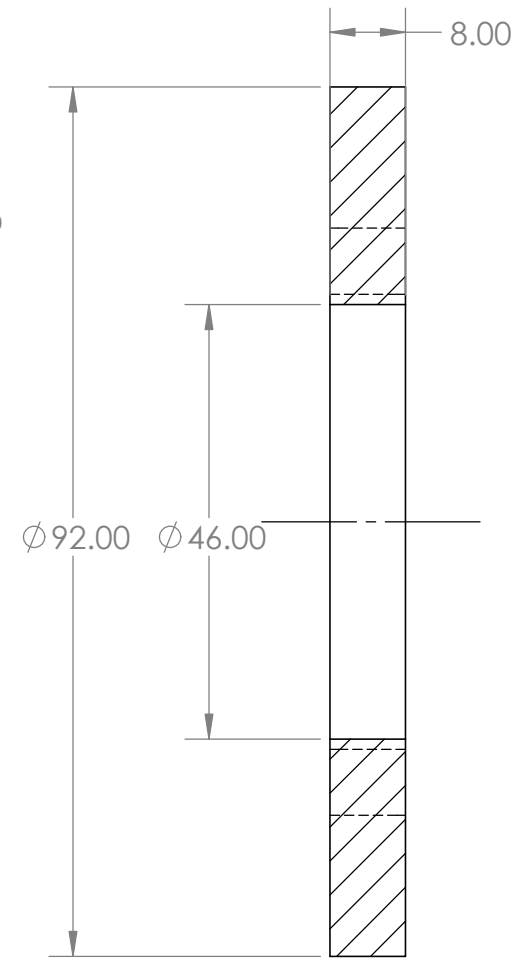
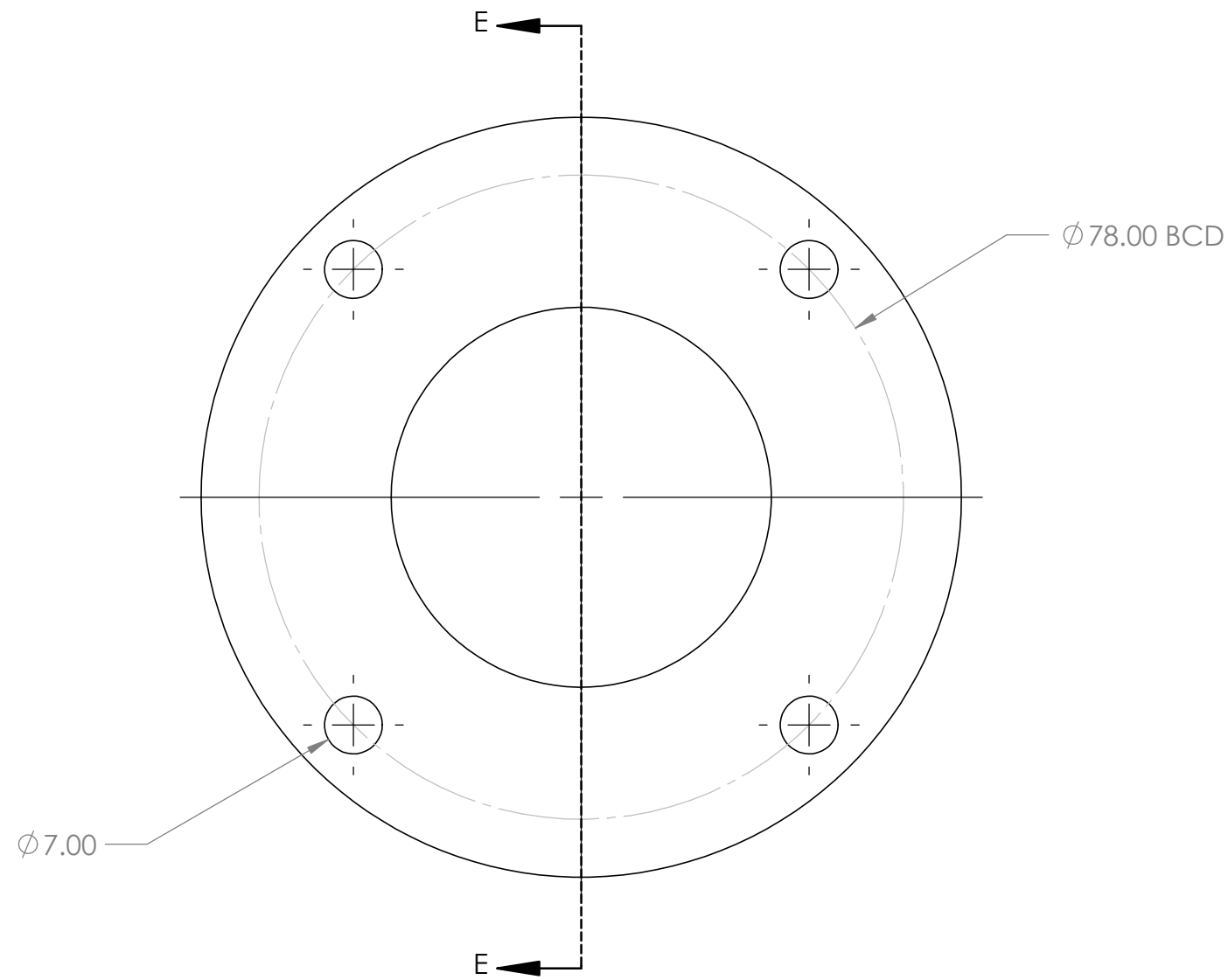
	NAME	DATE	LEE COLLEGE		
DRAWN	MMT	8/2/21			
CHECKED			TITLE: FLOATING REAMER HOLDER BODY		
ENG APPR.					
MFG APPR.					
Q.A.					
COMMENTS:			SIZE	DWG. NO.	REV
			B	FRH-MMT	
			SCALE: 1:2	WEIGHT:	SHEET 3 OF 8



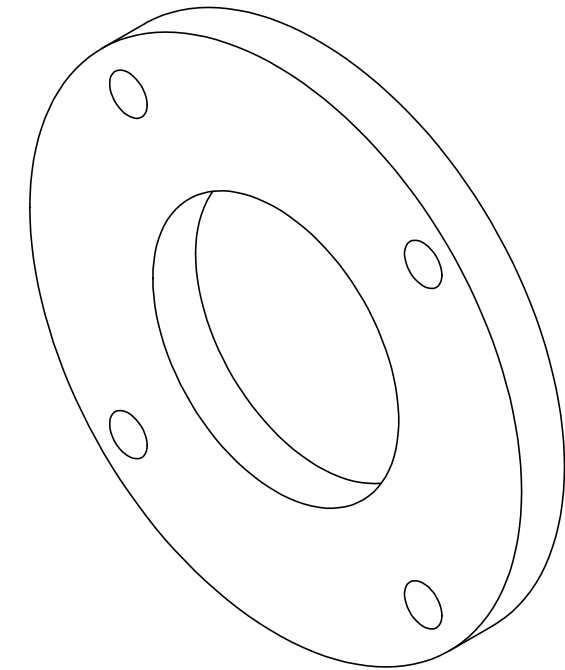
	NAME	DATE	LEE COLLEGE	
DRAWN	MMT	8/2/21		
CHECKED			TITLE: FLOATING REAMER HOLDER SLEEVE	
ENG APPR.				
MFG APPR.				
Q.A.				
COMMENTS:			SIZE	DWG. NO.
			B	FRH-MMT
			SCALE: 1:1	WEIGHT:
				REV
				SHEET 4 OF 8



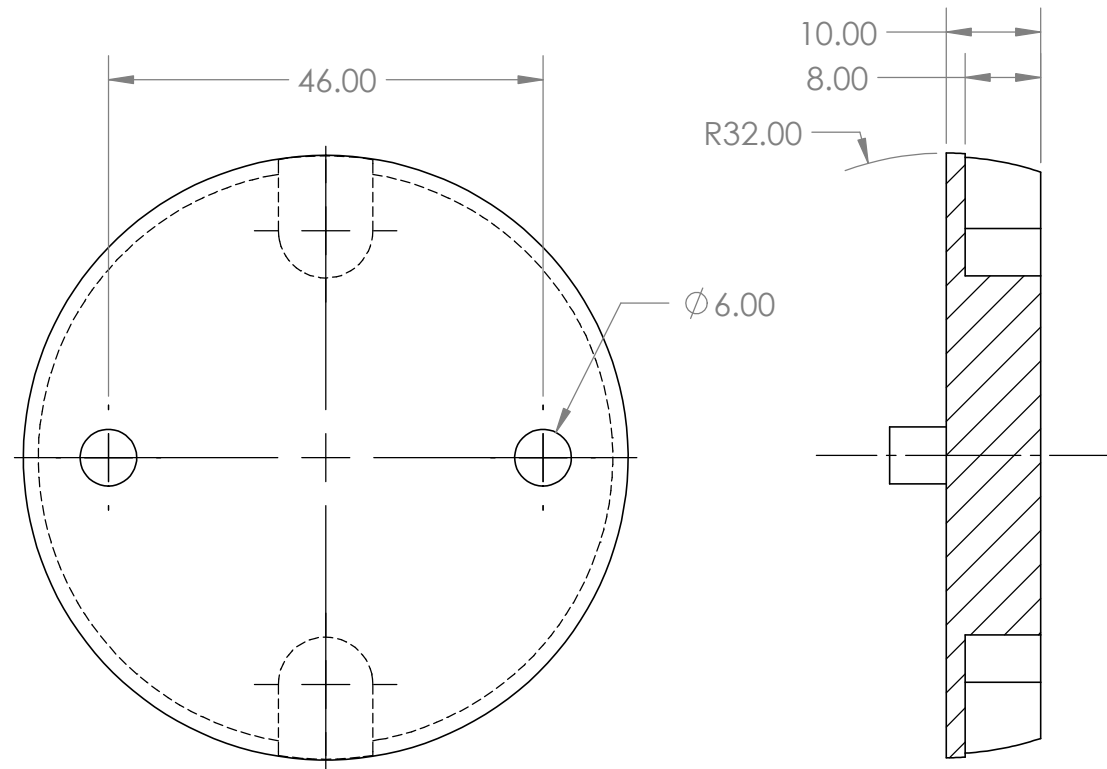
	NAME	DATE	LEE COLLEGE	
DRAWN	MMT	8/2/21		
CHECKED			TITLE: FLOATING REAMER HOLDER PIVOT	
ENG APPR.				
MFG APPR.				
Q.A.				
COMMENTS:				
	SIZE	DWG. NO.	REV	
	B	FRH-MMT		
	SCALE: 1:1	WEIGHT:	SHEET 5 OF 8	



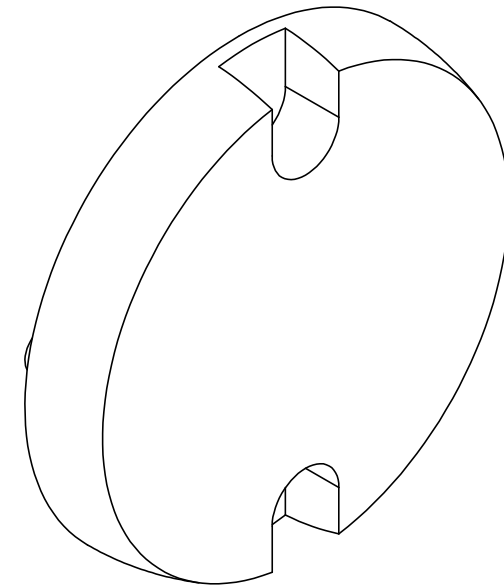
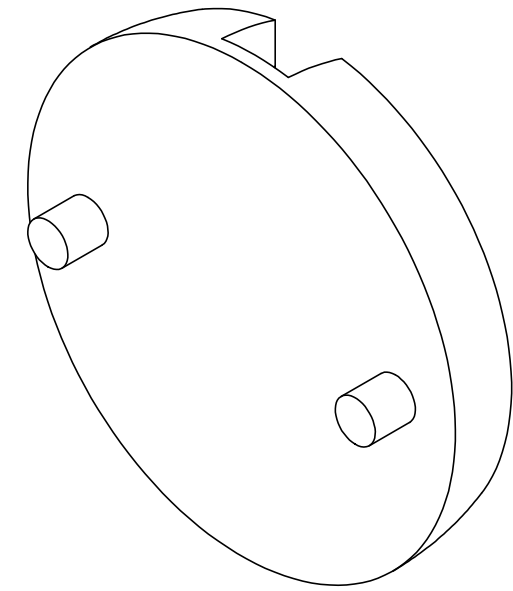
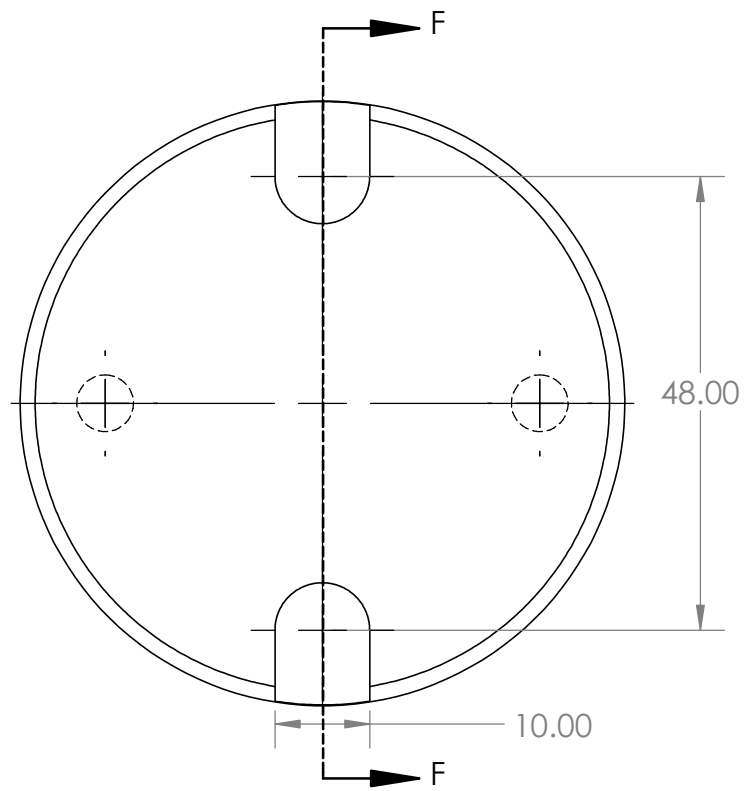
SECTION E-E
SCALE 1.25 : 1



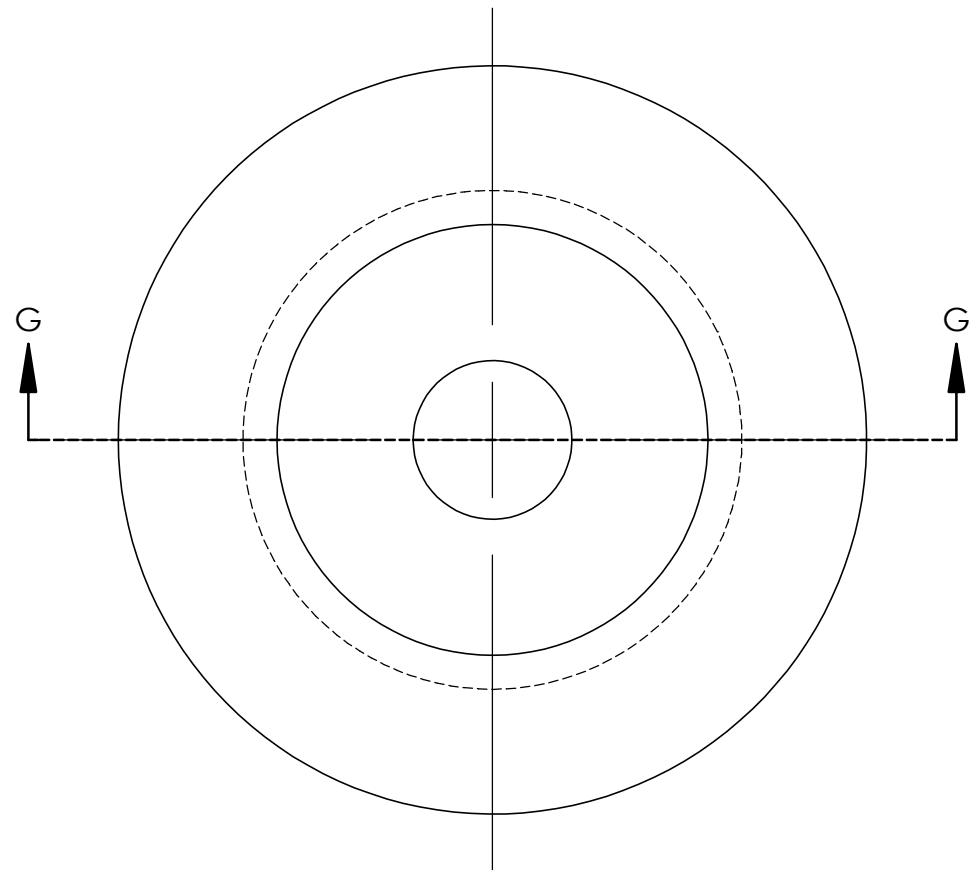
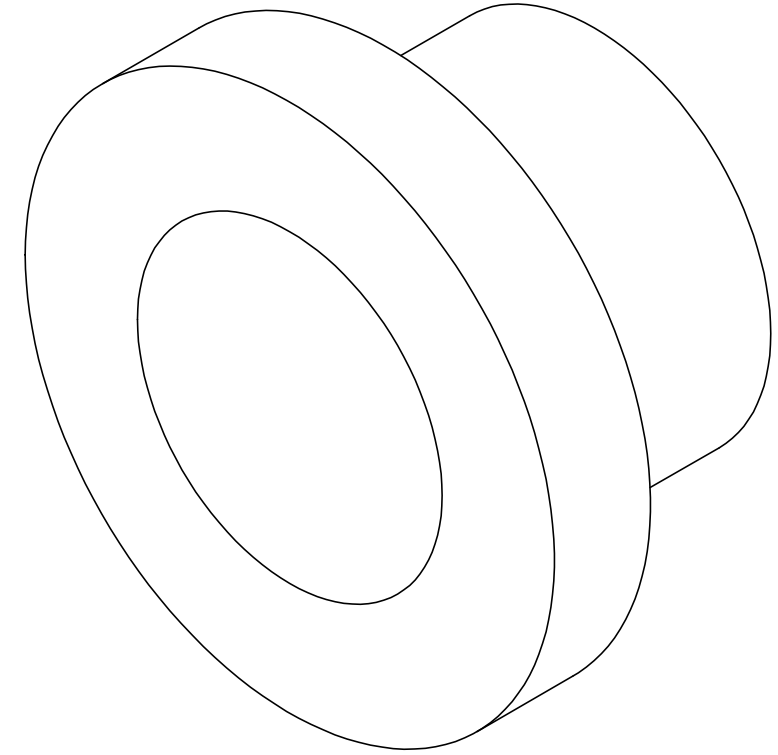
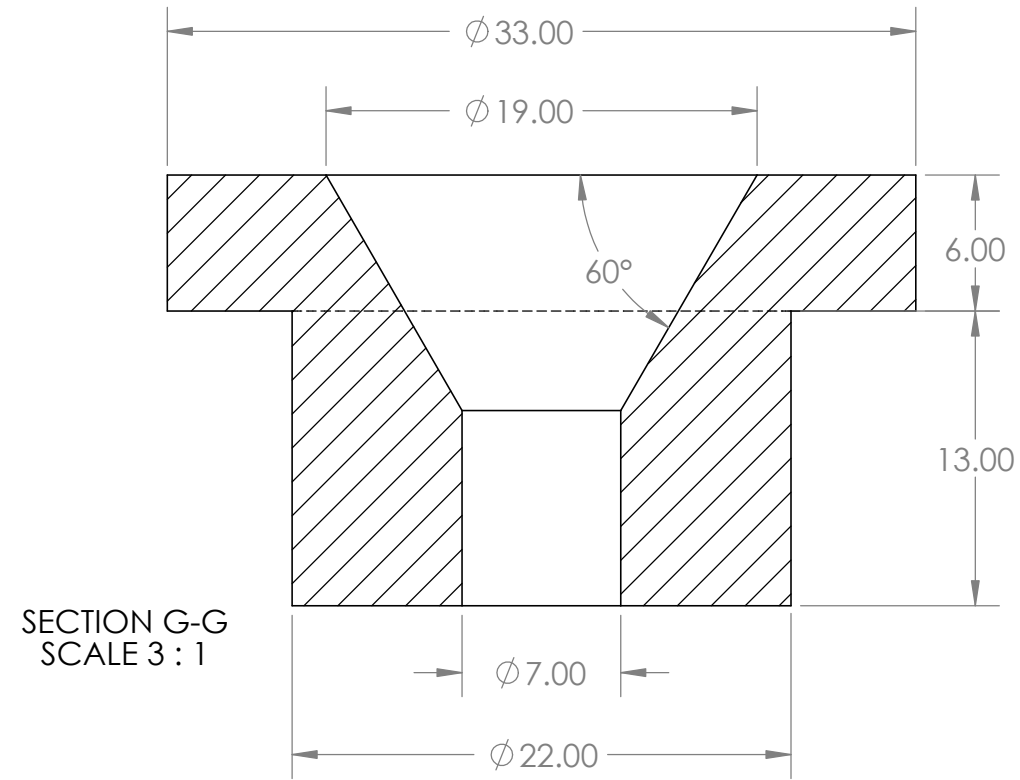
	NAME	DATE	LEE COLLEGE		
DRAWN	MMT	8/2/21			
CHECKED			SIZE DWG. NO. REV B FRH-MMT		
ENG APPR.					
MFG APPR.					
Q.A.					
COMMENTS:			SCALE: 1:2	WEIGHT:	SHEET 6 OF 8



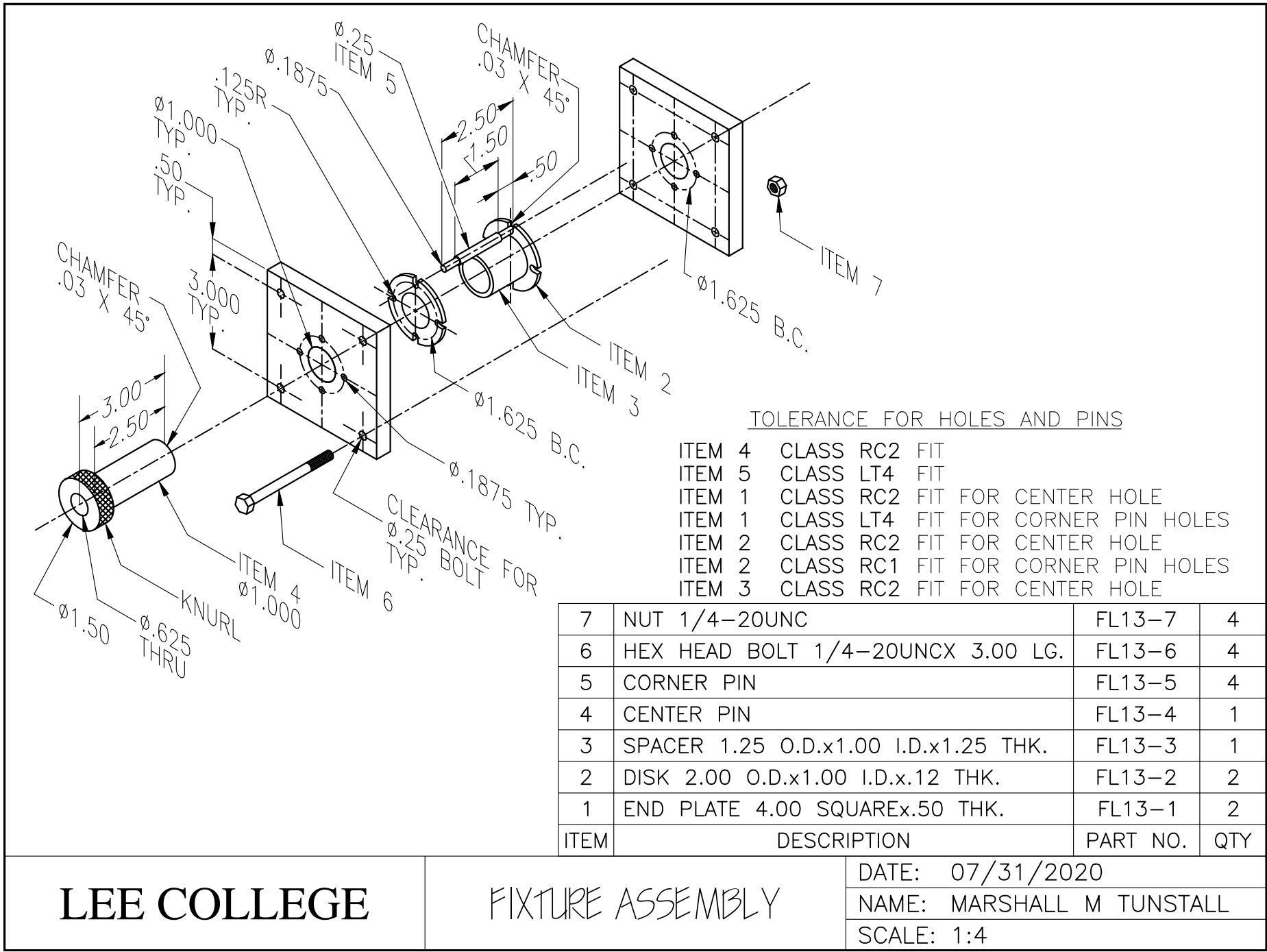
SECTION F-F
SCALE 1.25 : 1



	NAME	DATE	LEE COLLEGE		
DRAWN	MMT	8/2/21			
CHECKED			TITLE: FLOATING REAMER HOLDER PIVOT PLATE		
ENG APPR.					
MFG APPR.					
Q.A.					
COMMENTS:			SIZE	DWG. NO.	REV
			B	FRH-MMT	
			SCALE: 1:1	WEIGHT:	SHEET 7 OF 8



	NAME	DATE	LEE COLLEGE		
DRAWN	MMT	8/2/21			
CHECKED			TITLE: FLOATING REAMER HOLDER BEARING BALL SEAT		
ENG APPR.					
MFG APPR.					
Q.A.					
COMMENTS:			SIZE	DWG. NO.	REV
			B	FRH-MMT	
			SCALE: 2:1	WEIGHT:	SHEET 8 OF 8



LEE COLLEGE

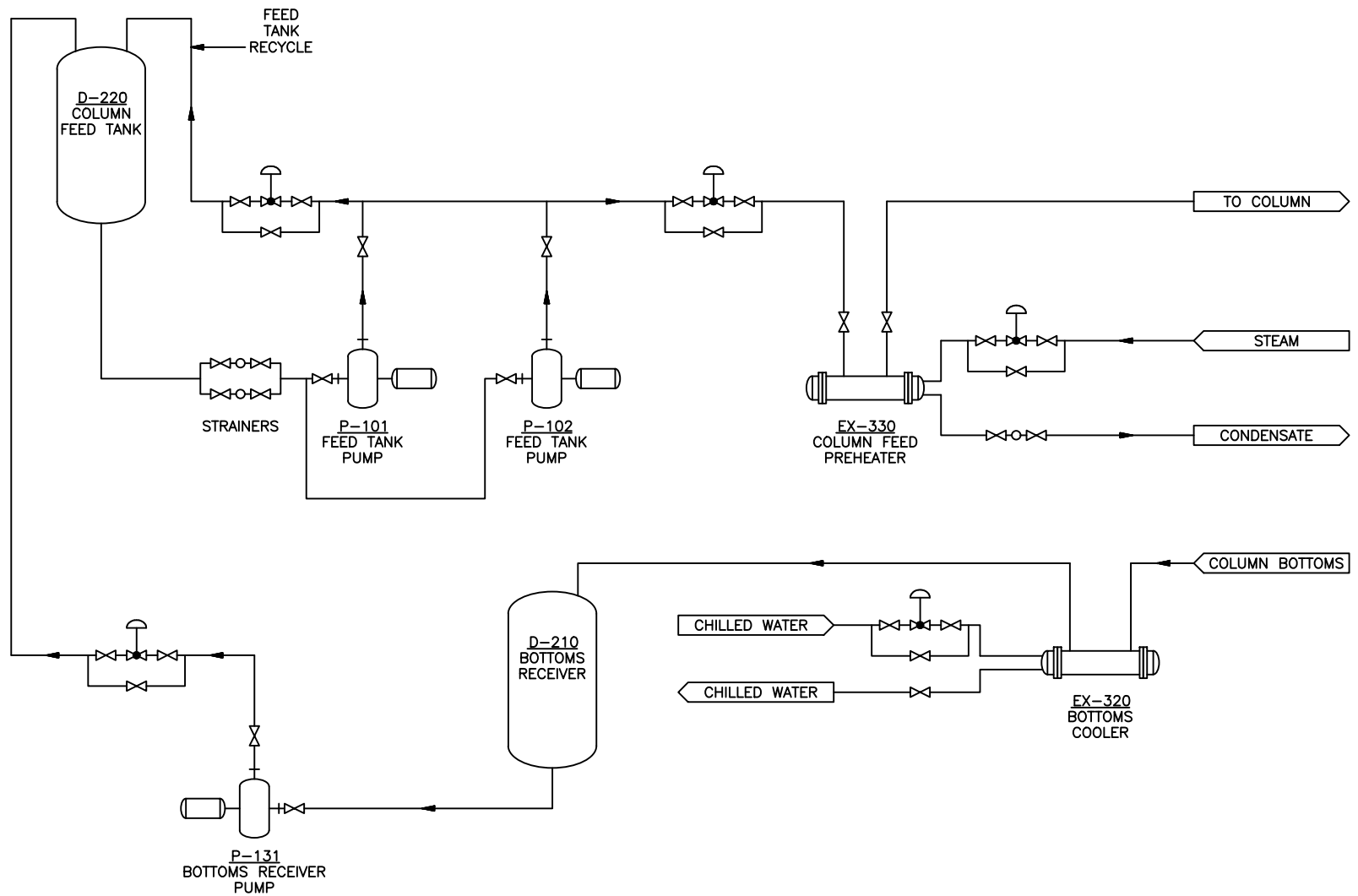
FIXTURE ASSEMBLY

DATE: 07/31/2020

NAME: MARSHALL M TUNSTALL

SCALE: 1:4

INSTRUMENTATION DRAWINGS



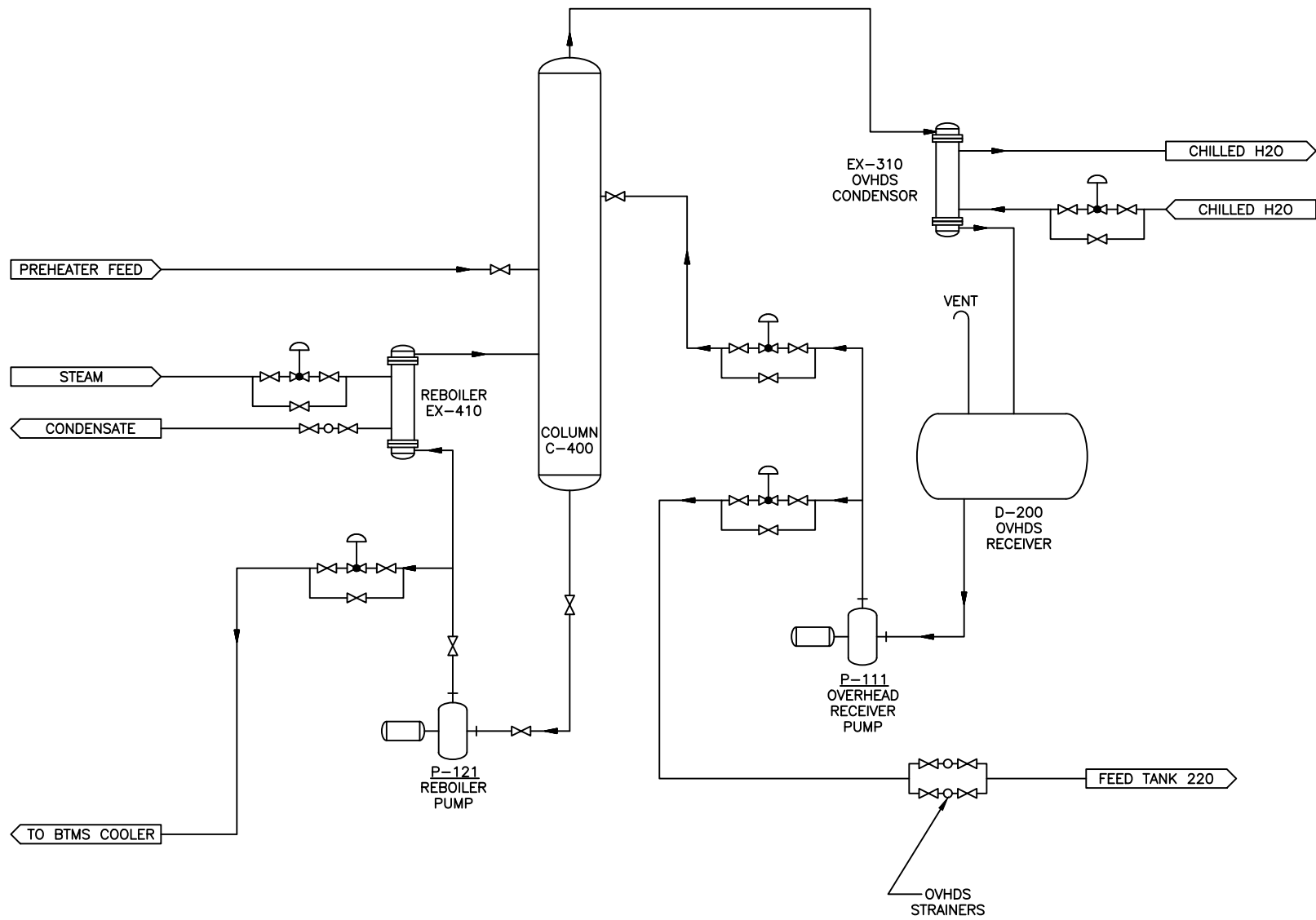
LEE COLLEGE

PILOT PLANT PFD

DATE: 02/07/2021

NAME: MARSHALL M TUNSTALL

SHEET 1



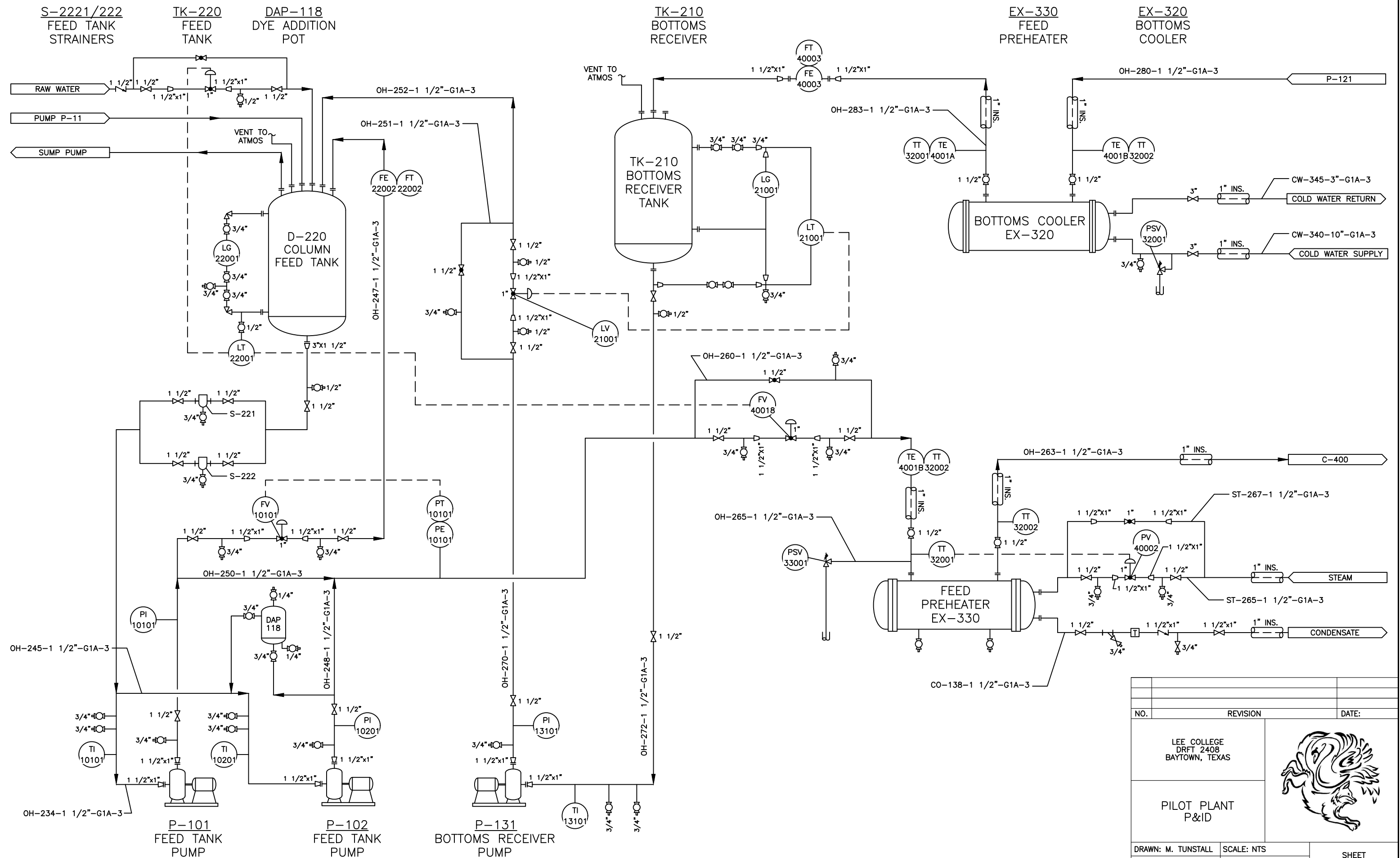
LEE COLLEGE


PILOT PLANT PFD

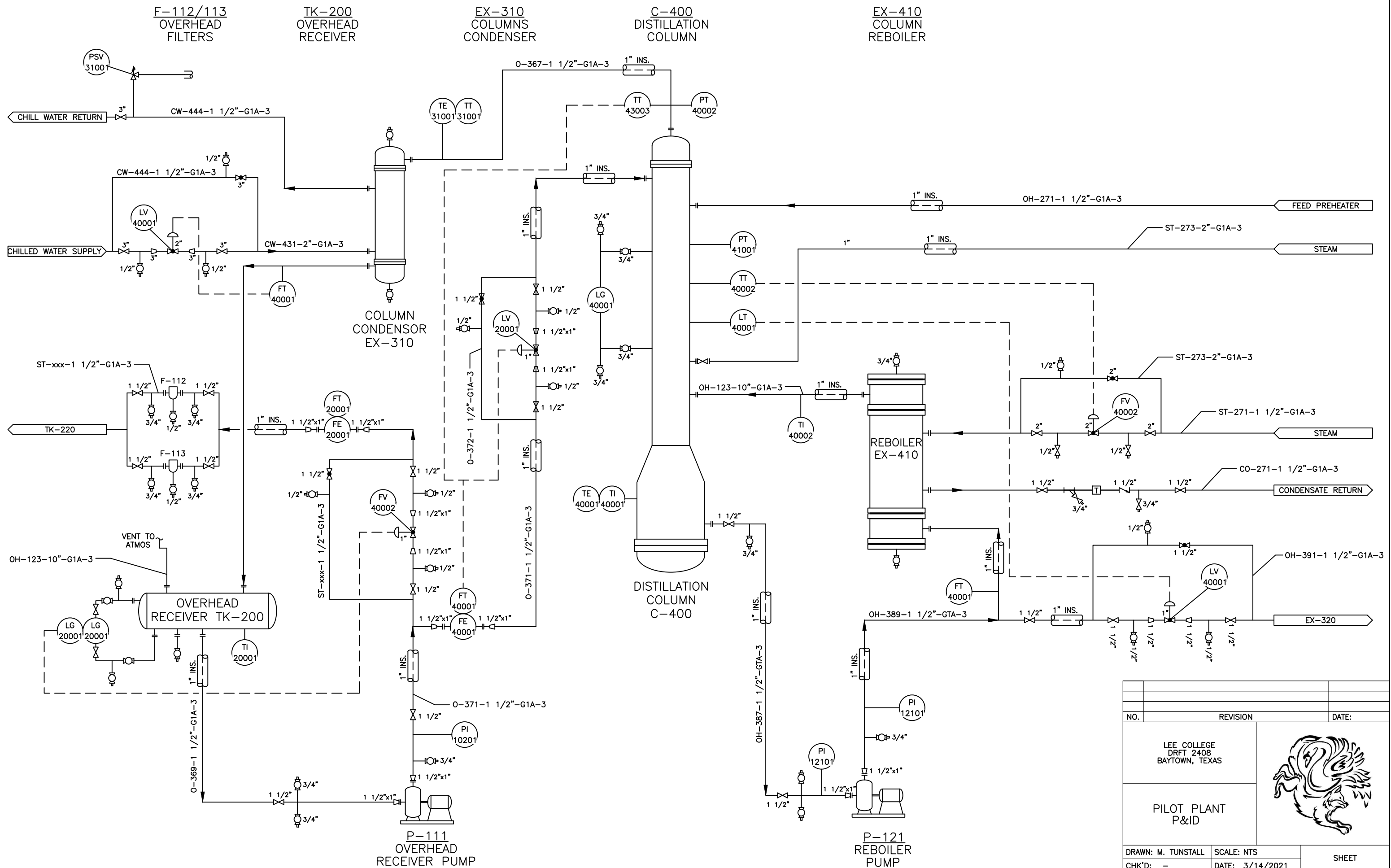
DATE: 02/22/2021


NAME: MARSHALL M TUNSTALL

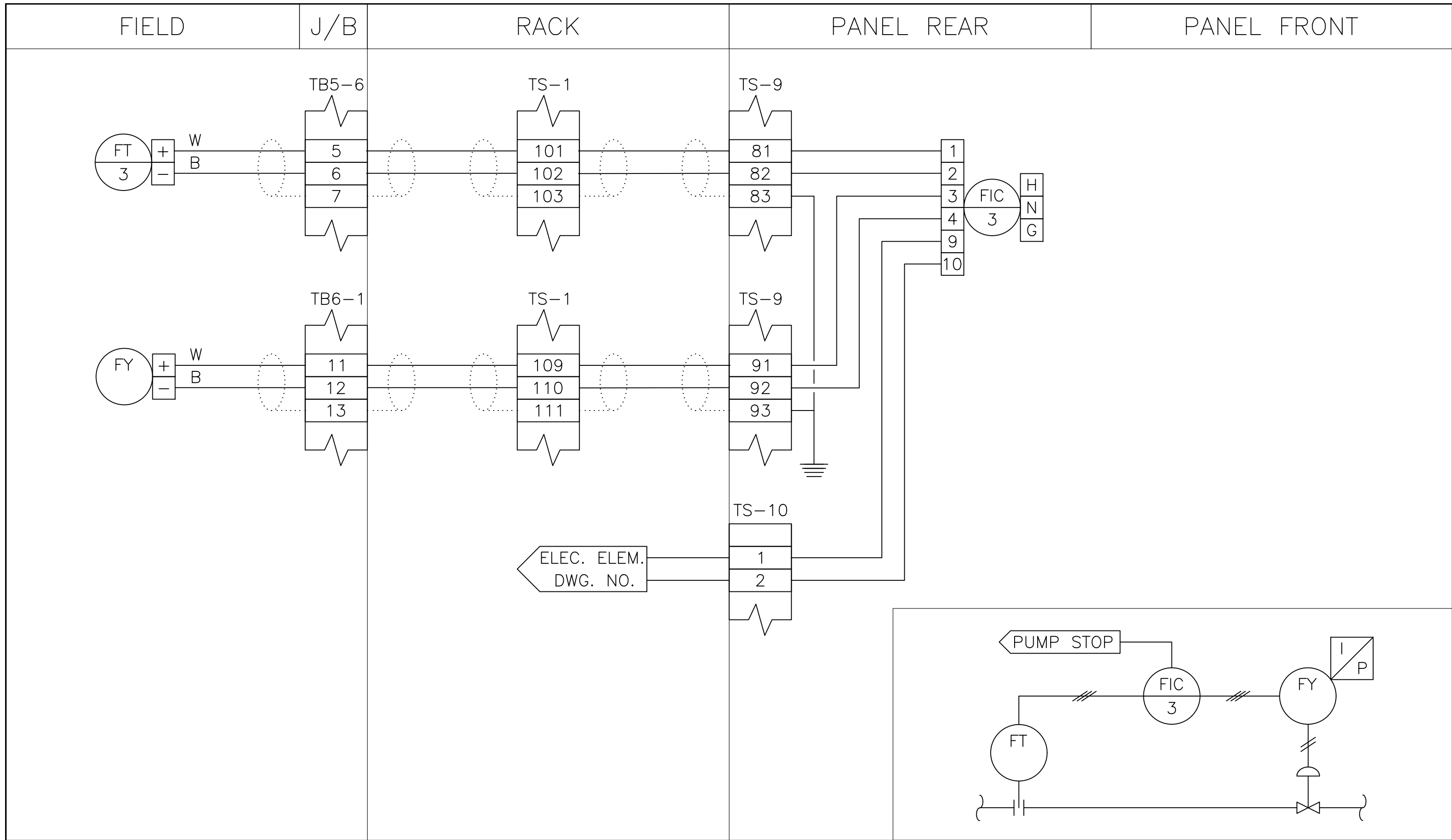
SHEET 2



NO.	REVISION	DATE:
LEE COLLEGE DRFT 2408 BAYTOWN, TEXAS		
PILOT PLANT P&ID		
DRAWN: M. TUNSTALL	SCALE: NTS	SHEET 1 OF 2
CHK'D: -	DATE: 3/13/2021	
JOB NO.: -	FILENAME: -	



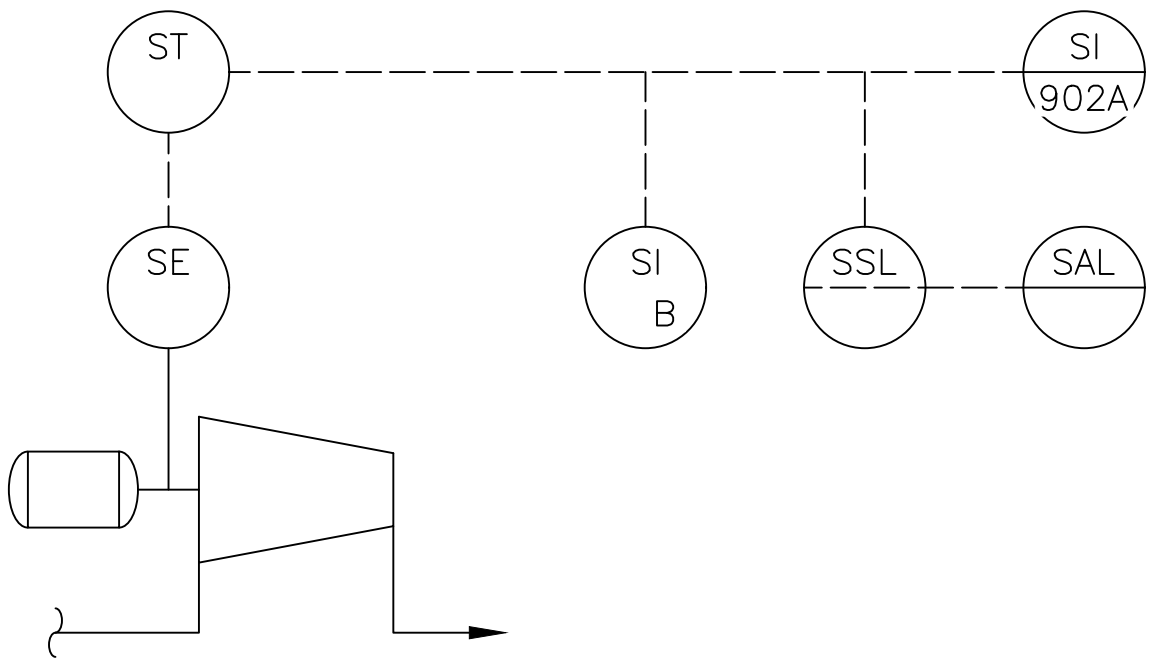
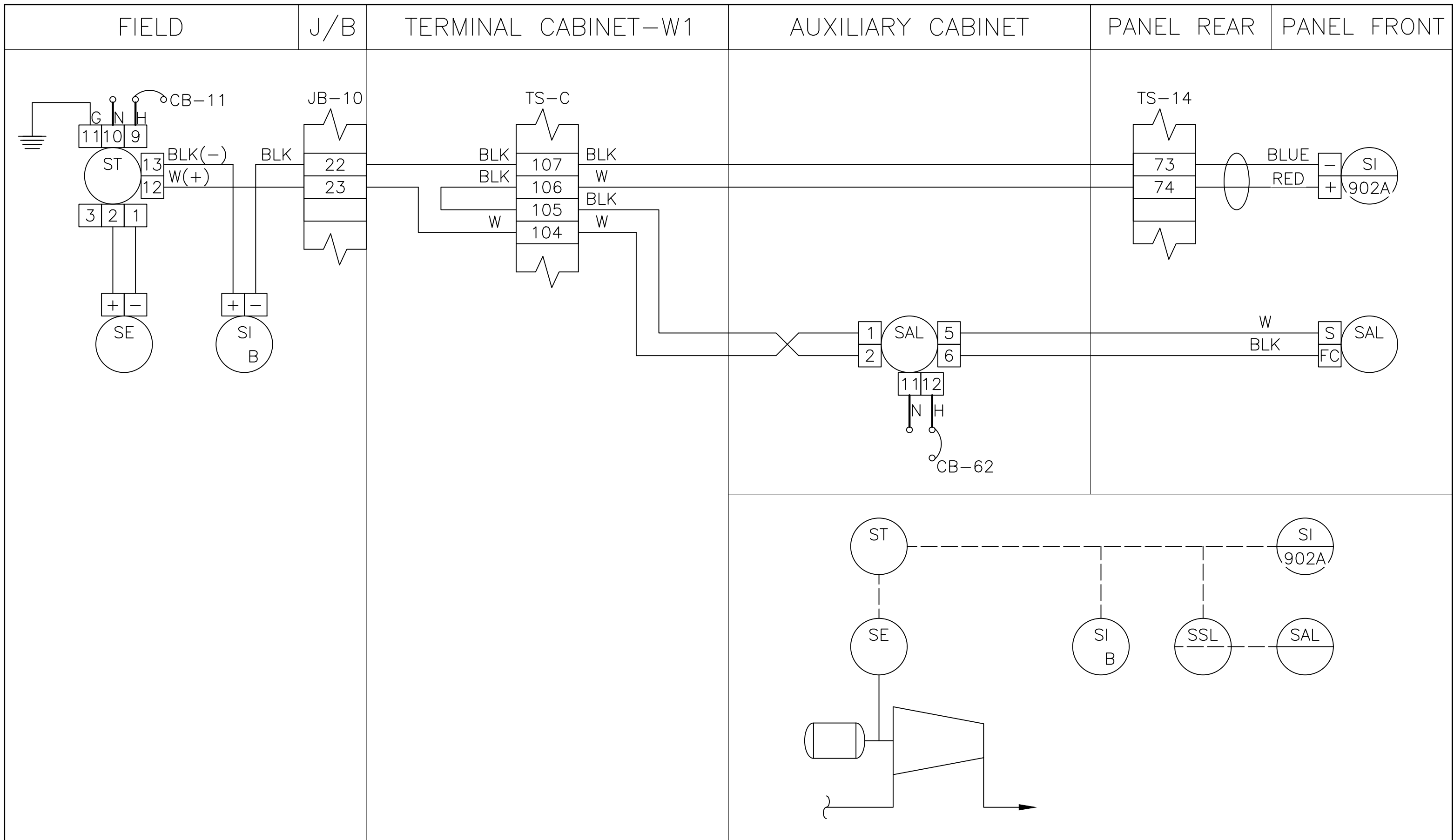
NO.	REVISION	DATE:
LEE COLLEGE DRFT 2408 BAYTOWN, TEXAS		
PILOT PLANT P&ID		
DRAWN: M. TUNSTALL	SCALE: NTS	SHEET 2 OF 2
CHK'D: -	DATE: 3/14/2021	
JOB NO.: -	FILENAME: -	

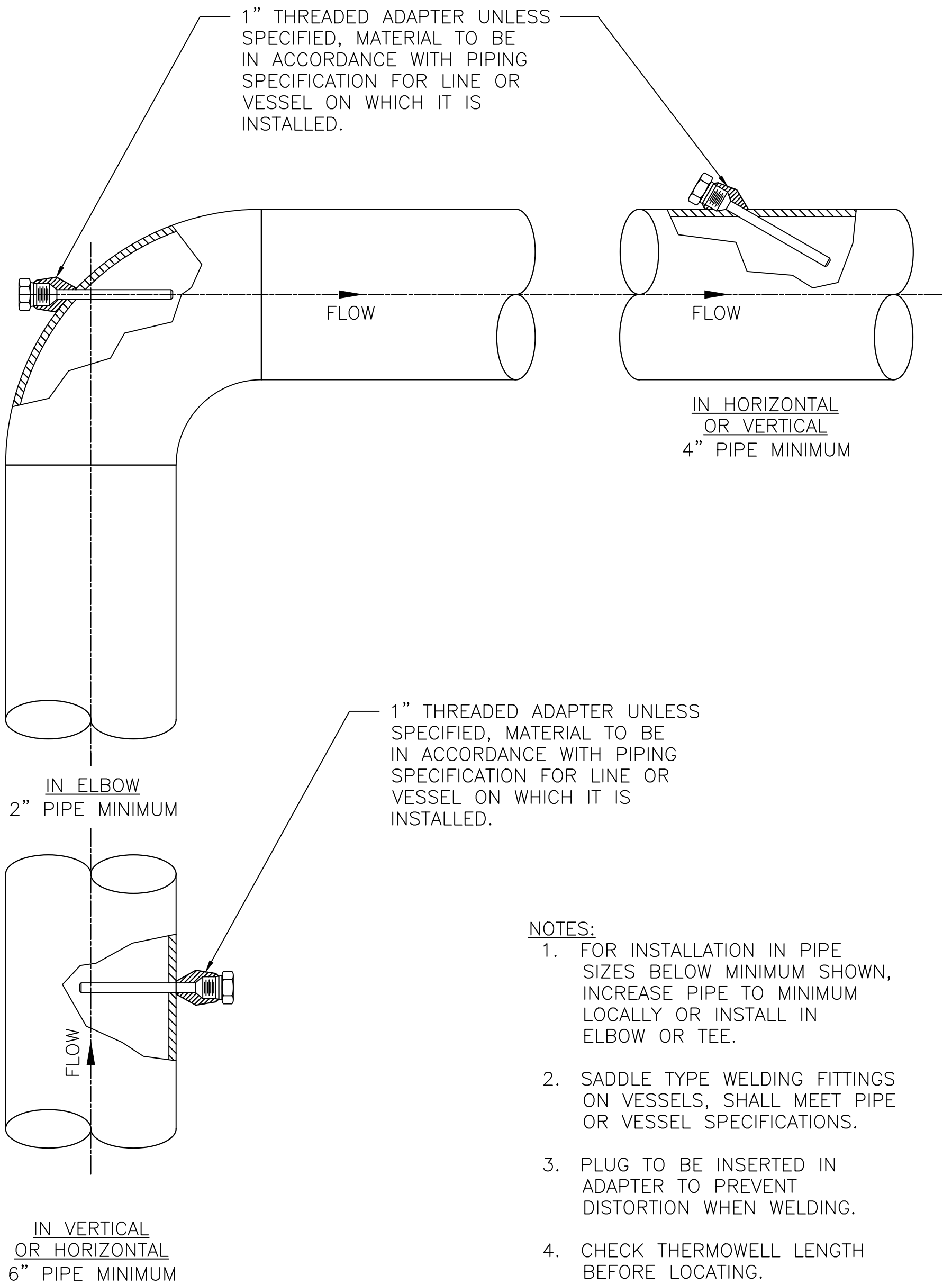


LEE COLLEGE

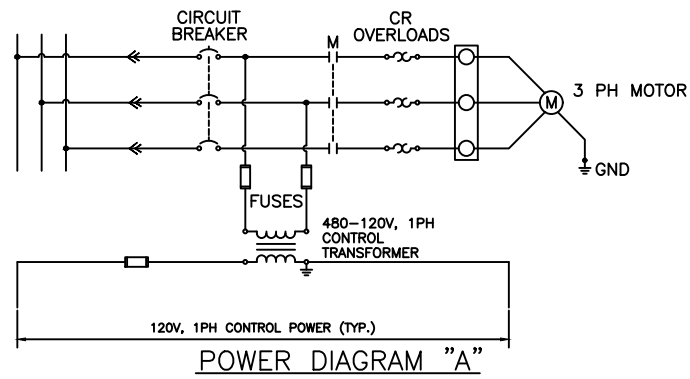
FUEL OIL TO FURNACE

DATE: 3/28/2021
 NAME: MARSHALL MADISON TUNSTALL
 SCALE: NTS

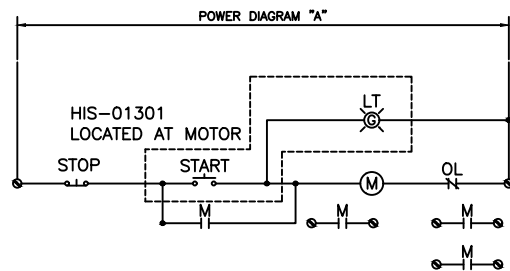




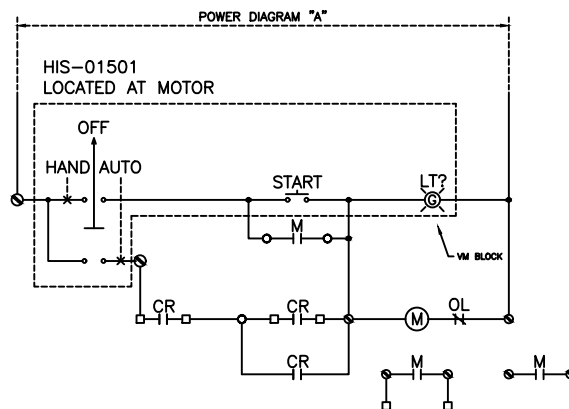
ELECTRICAL DRAWINGS



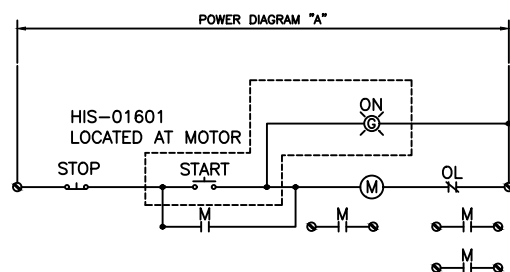
POWER DIAGRAM "A"



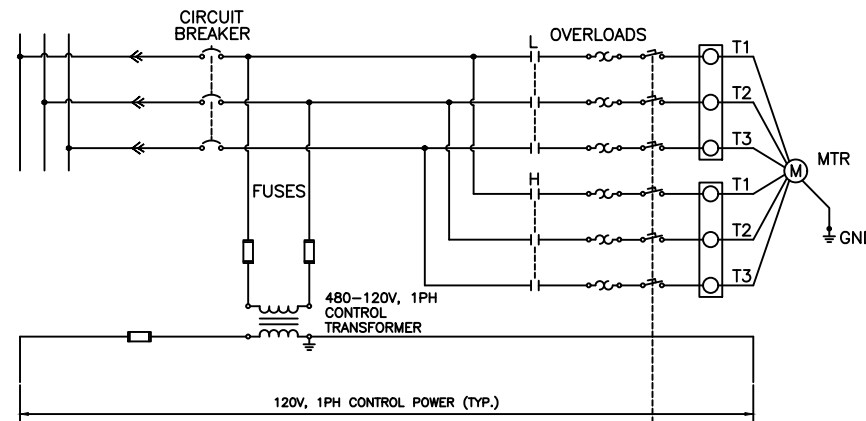
RESTROOM EXHAUST FAN



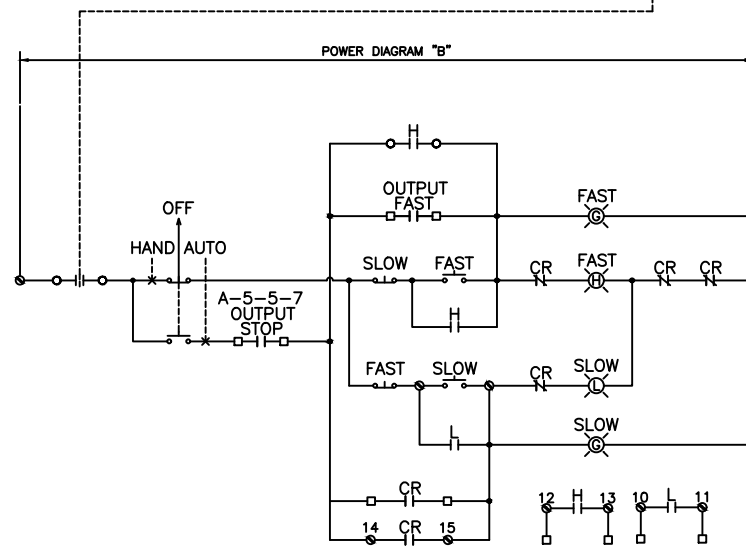
AUTOCLAVE AGITATOR



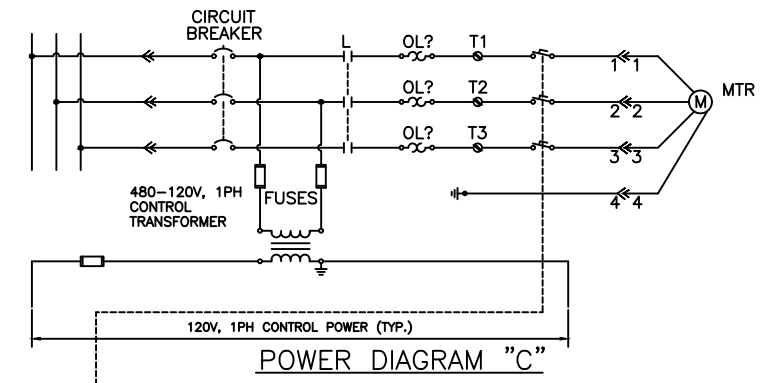
VACUUM CLEANING SYSTEM EXHAUST FAN



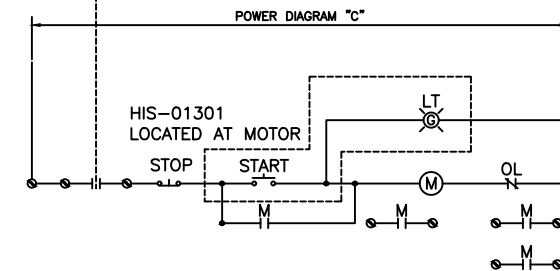
POWER DIAGRAM "B"



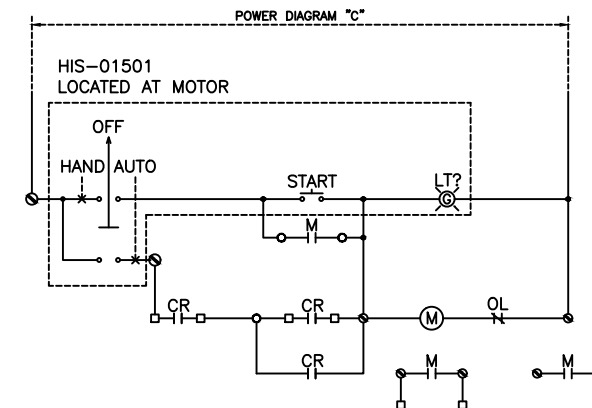
PRESS CONVEYOR AUXILIARY BELT DRIVE



POWER DIAGRAM "C"



BAGHOUSE HYDRAULIC PUMP



AUTOCLAVE JACKET TEMPERATURE RECIRC PUMP

1.0 POWER AND CONTROL ELEMENTARY DIAGRAMS PROVIDE THE INFORMATION REQUIRED TO WIRE THE CONTROL SYSTEMS AND TO SPECIFY CERTAIN CONTROL DEVICES FOR PURCHASE ON A PROJECT. THESE DIAGRAMS ARE THE KEY DOCUMENTS FOR SYSTEMS OPERATION AND TROUBLESHOOTING OF EQUIPMENT OPERATION ON A PROJECT.

- 2.0 POWER AND CONTROL ELEMENTARY DIAGRAMS WILL CONTAIN THE FOLLOWING INFORMATION
- 2.1 A CIRCUIT FOR EACH MOTOR STARTER USED ON A PROJECT, I.E. REVERSING, NON-REVERSING, TWO SPEED, ETC.
 - 2.2 STARTER CIRCUIT SYMBOLS AS REQUIRED FOR THE CIRCUIT BREAKERS OR FUSES, STARTER COIL CONTACTS, OVERLOAD HEATERS, CURRENT TRANSFORMERS, BRAKES, AMMETERS AND MOTOR.
 - 2.3 CONTROL CIRCUIT SYMBOLS AS REQUIRED FOR PUSHBUTTONS, SELECTOR SWITCHES, TERMINALS, INSTRUMENTATION DEVICES, AUXILIARY CONTACTS, OVERLOAD CONTACTS AND STARTER COIL.
 - 2.4 CONTROL POWER SOURCE.
 - 2.5 TERMINAL BLOCK NUMBERS, WIRE NUMBERS AND LOCATIONS OF TERMINALS AND CONTROL DEVICES IF NOT AT STARTER.

3.0 POWER AND CONTROL ELEMENTARY DIAGRAMS WILL BE DIVIDED INTO THREE VERTICAL SECTIONS. EACH SECTION WILL CONTAIN A STRATER CIRCUIT DIAGRAM AND THE NUMBER OF CONTROL CIRCUIT DIAGRAMS WITH LEGENDS THAT SPACE PERMITS. THE LOWER RIGHT HAND CORNER OF EACH DRAWING WILL BE RESERVED FOR NOTES.

LEGEND

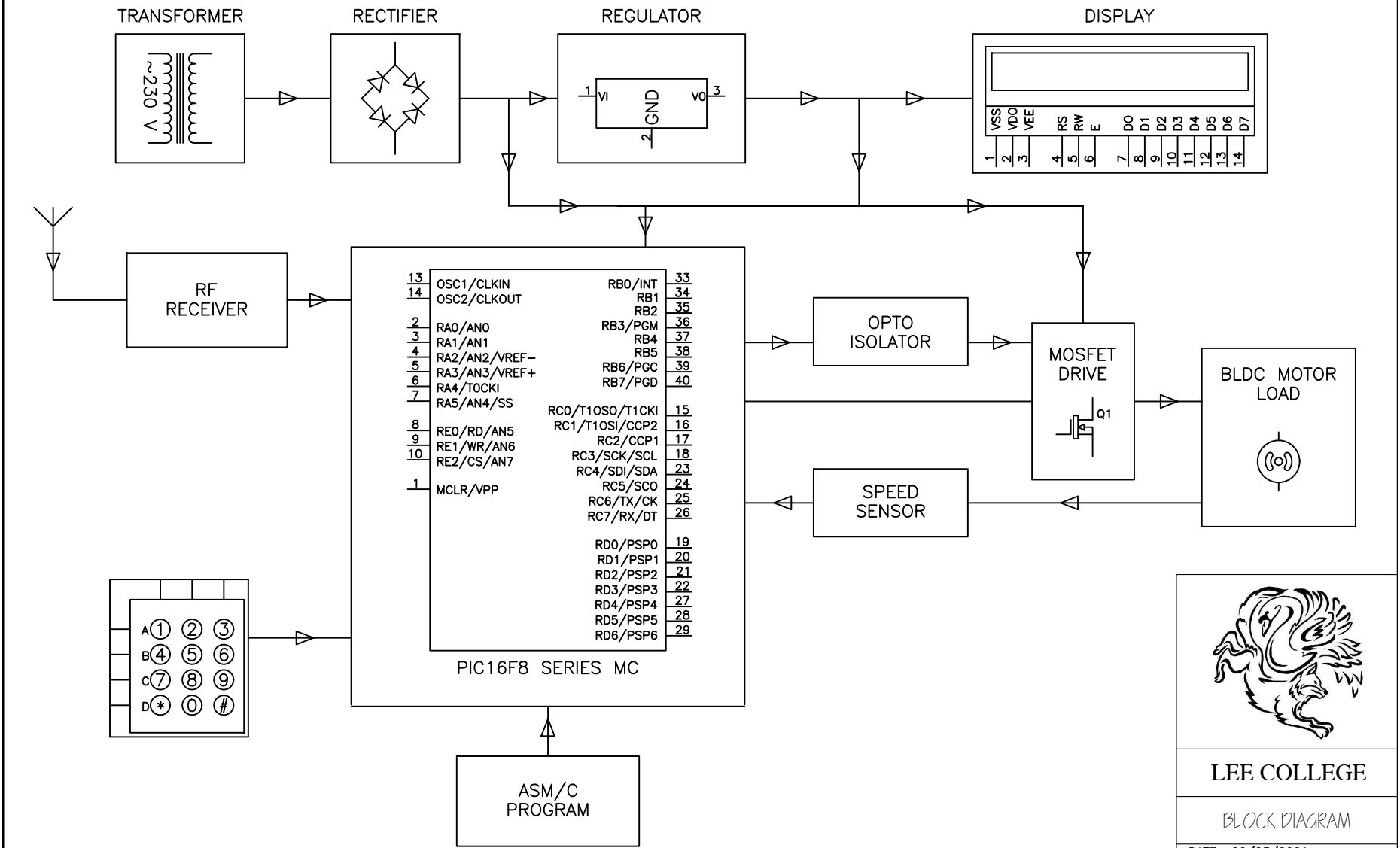
- ⊙ - INDICATES TERMINAL IN MCC STARTER CUBICLE
- - INDICATES TERMINAL ON FIELD TERMINATION RACK "FTR"
- - INDICATES TERMINAL ON PLC PANEL
- (2)- REPRESENTS PAIR NUMBER OF MULTIPAIR CABLE

NOTES

- 1. WIRES TO BE TAGGED WITH NUMBERS AND/OR LETTERS AS SHOWN PRECEDED BY THE PROJECT AREA NUMBER AND THE MOTOR ITEM NUMBER.

NO.	REVISION	DATE:
LEE COLLEGE DFTG 2407 BAYTOWN, TEXAS		
MOTOR SCHEMATIC		
DRAWN: M. TUNSTALL	SCALE: NTS	SHEET 1 OF 1
CHK'D: -	DATE: 4/11/2021	
JOB NO.: -	FILENAME: -	

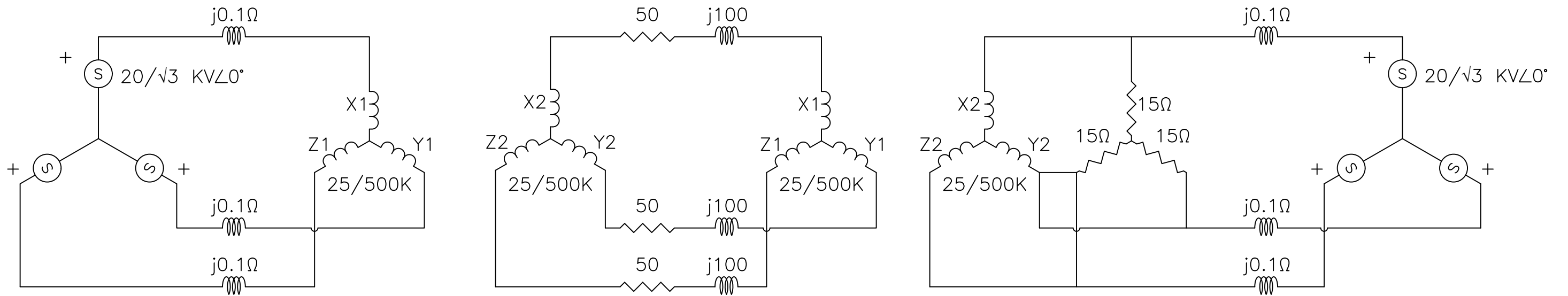
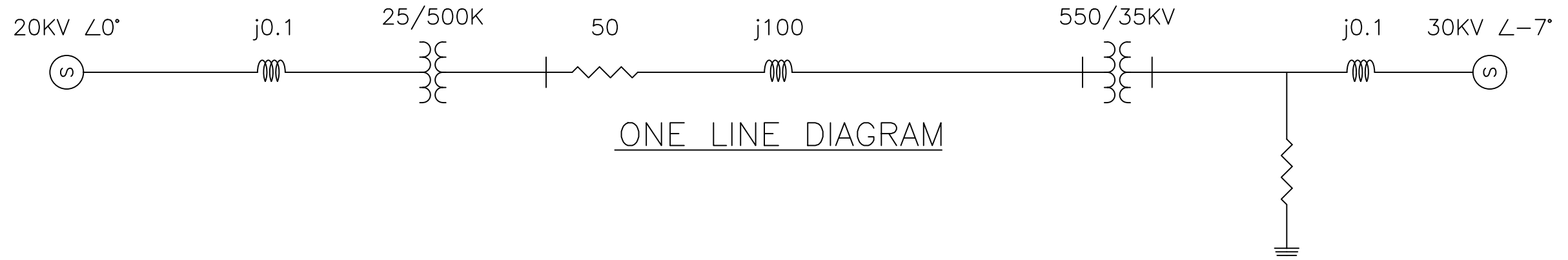
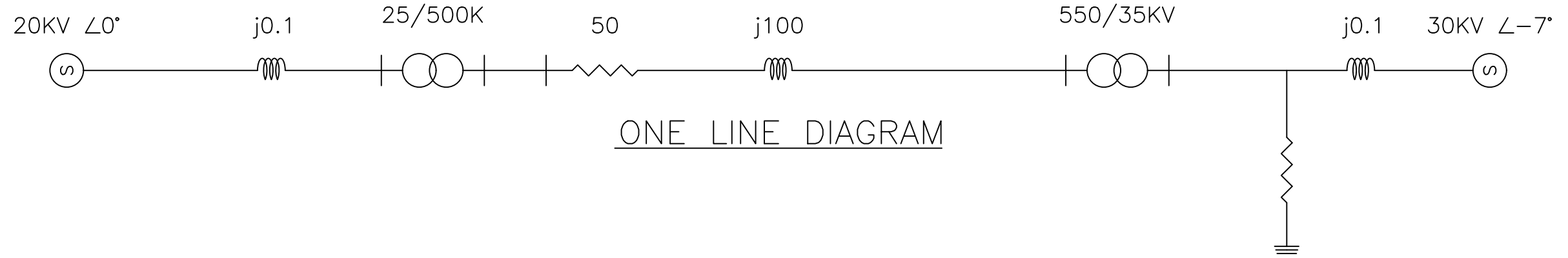
BLOCK DIAGRAM FOR RECEIVERS



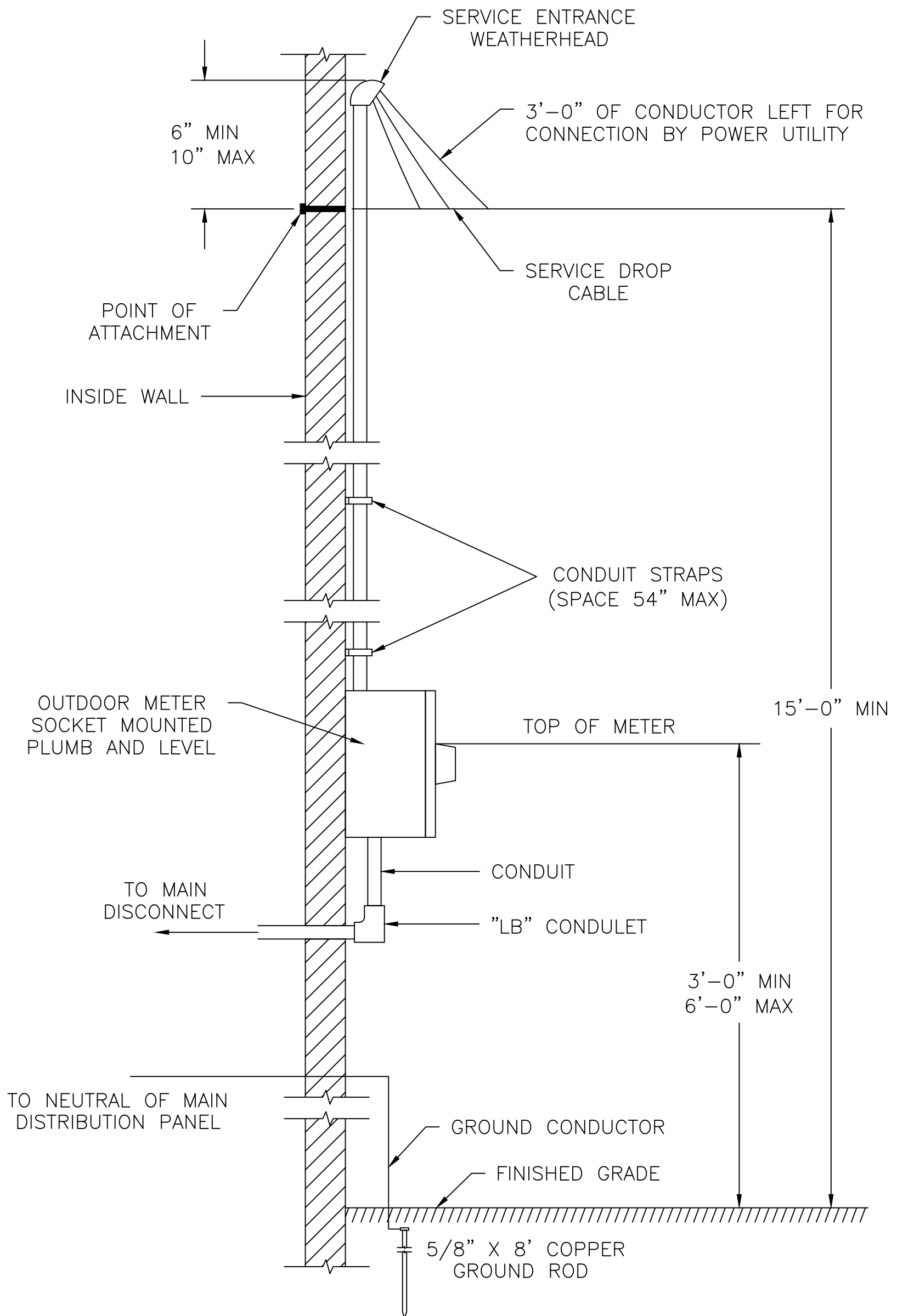
LEE COLLEGE

BLOCK DIAGRAM

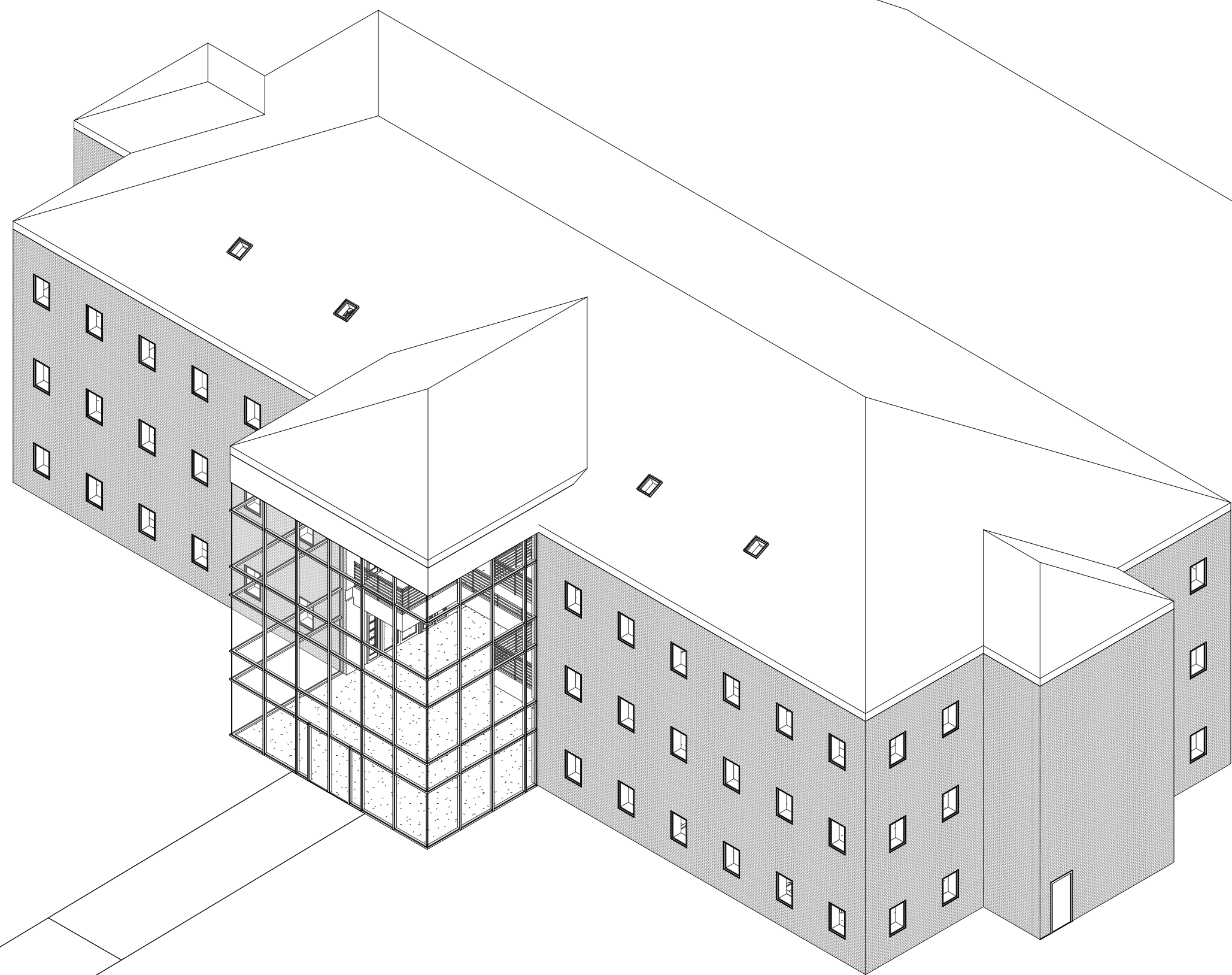
DATE: 02/03/2021
 NAME: MARSHALL M TUNSTALL
 SCALE: 1:1



EQUIVALENT THREE LINE DIAGRAM



ARCHITECTURAL DRAWINGS



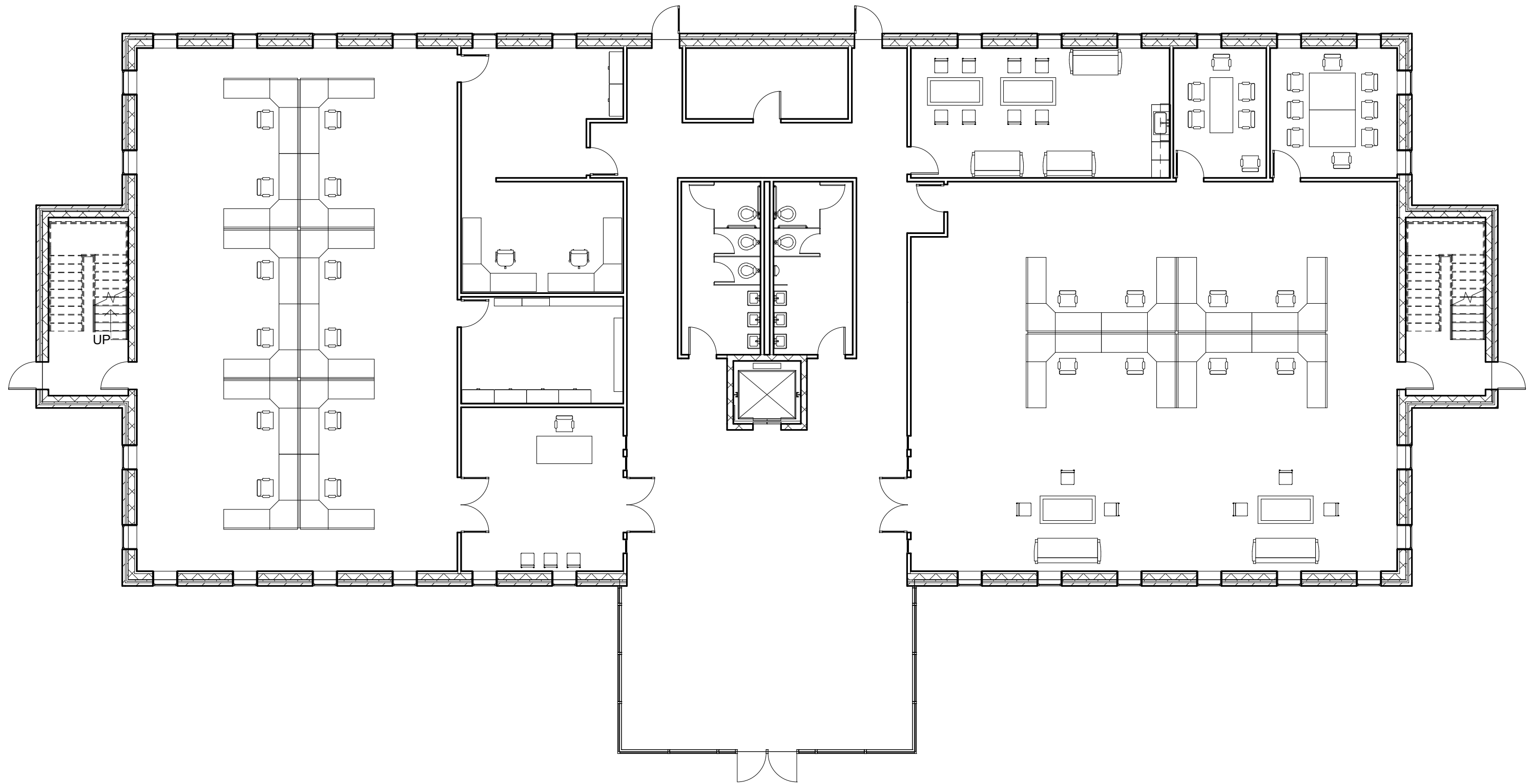
LEE COLLEGE

OFFICE BUILDING - 3D VIEW

DATE: 10/26/2020

NAME: MARSHALL MADISON TUNSTALL

SCALE: 1:160



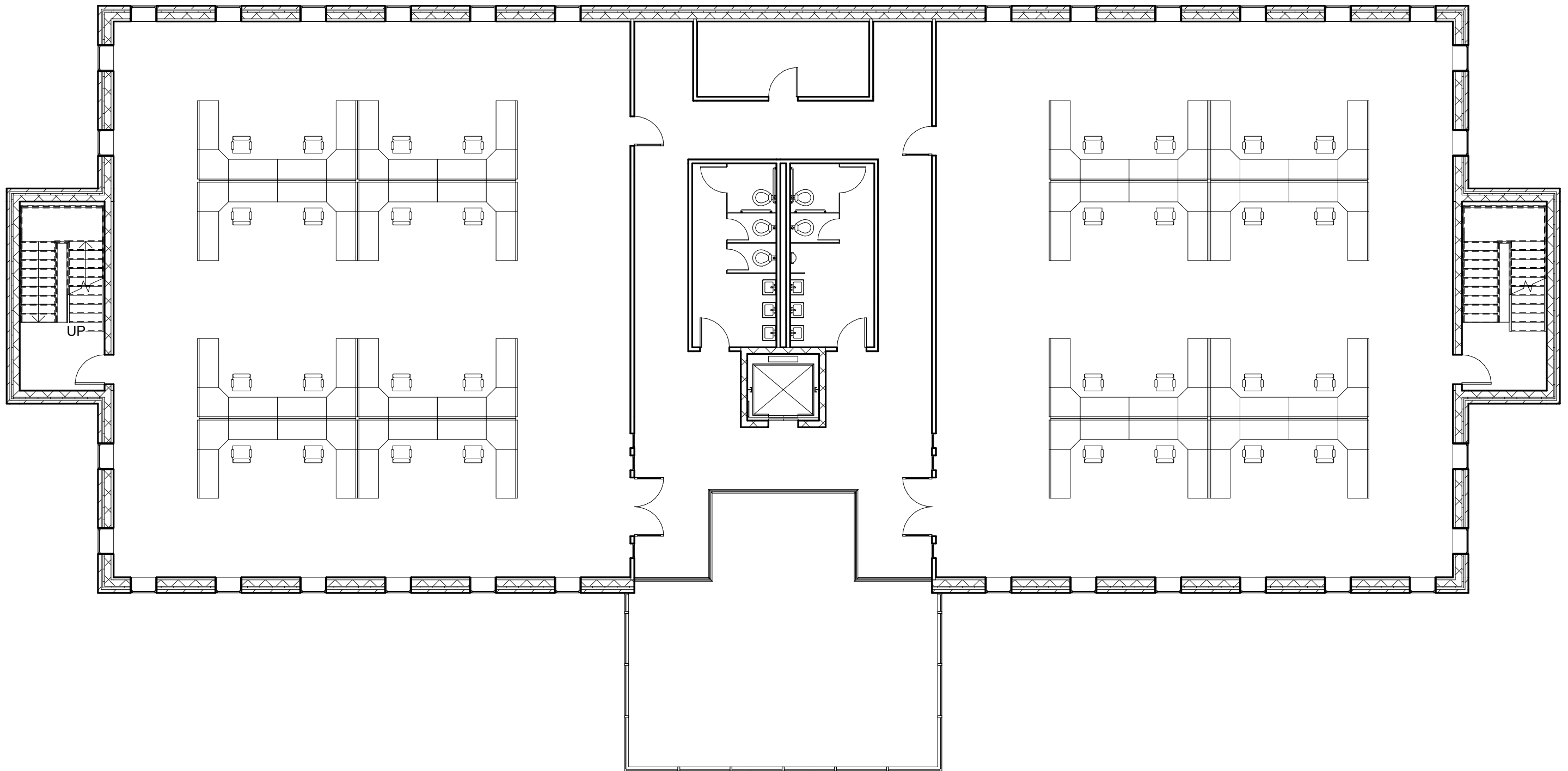
LEE COLLEGE

OFFICE BUILDING - LEVEL 1

DATE: 10/26/2020

NAME: MARSHALL MADISON TUNSTALL

SCALE: 3/32" = 1'-0"



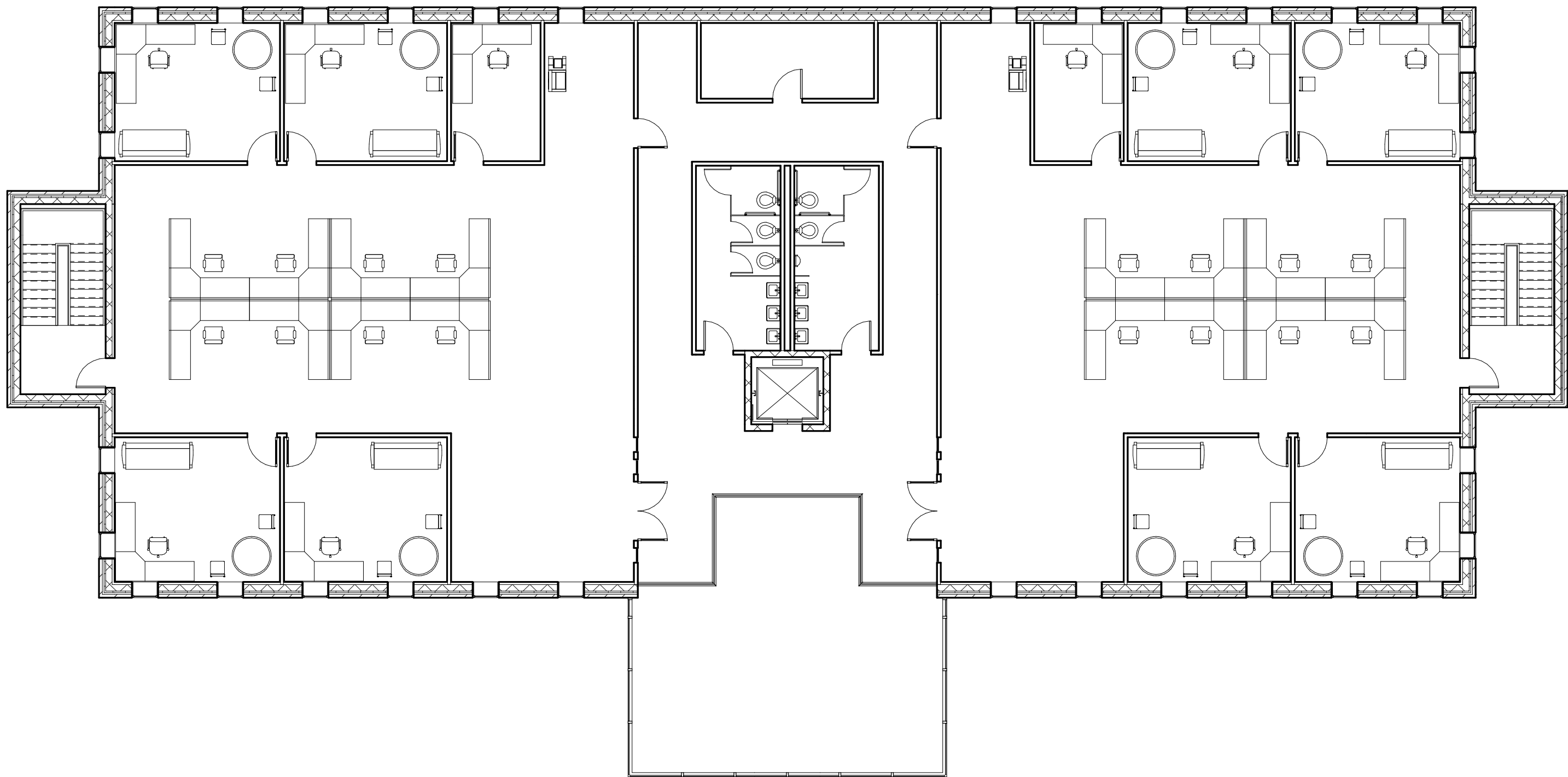
LEE COLLEGE

OFFICE BUILDING - LEVEL 2

DATE: 10/26/2020

NAME: MARSHALL MADISON TUNSTALL

SCALE: 3/32" = 1'-0"



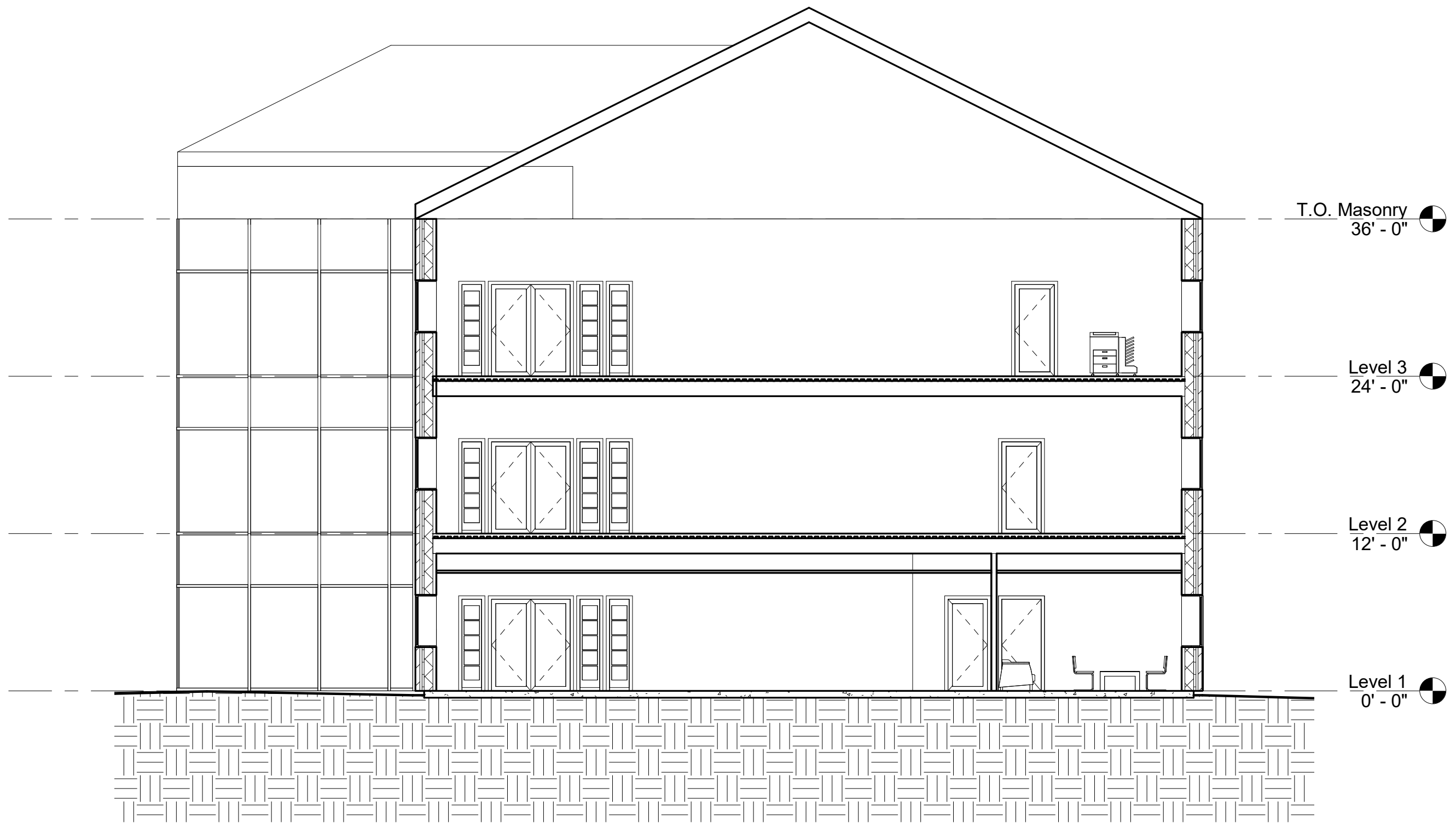
LEE COLLEGE

OFFICE BUILDING - LEVEL 3

DATE: 10/26/2020

NAME: MARSHALL MADISON TUNSTALL

SCALE: 3/32" = 1'-0"



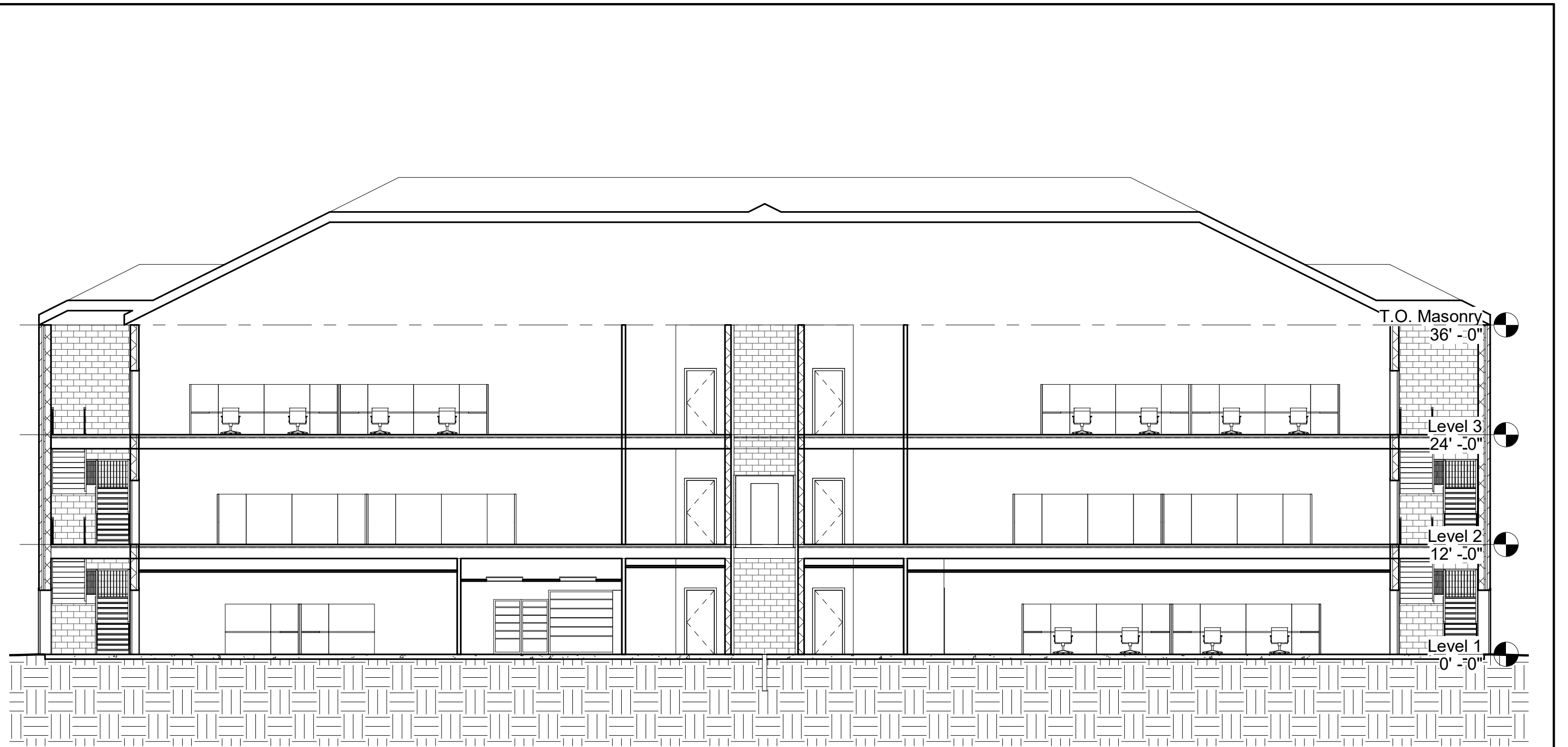
LEE COLLEGE

OFFICE BUILDING - CROSS SECTION

DATE: 10/26/2020

NAME: MARSHALL MADISON TUNSTALL

SCALE: 1/8" = 1'-0"



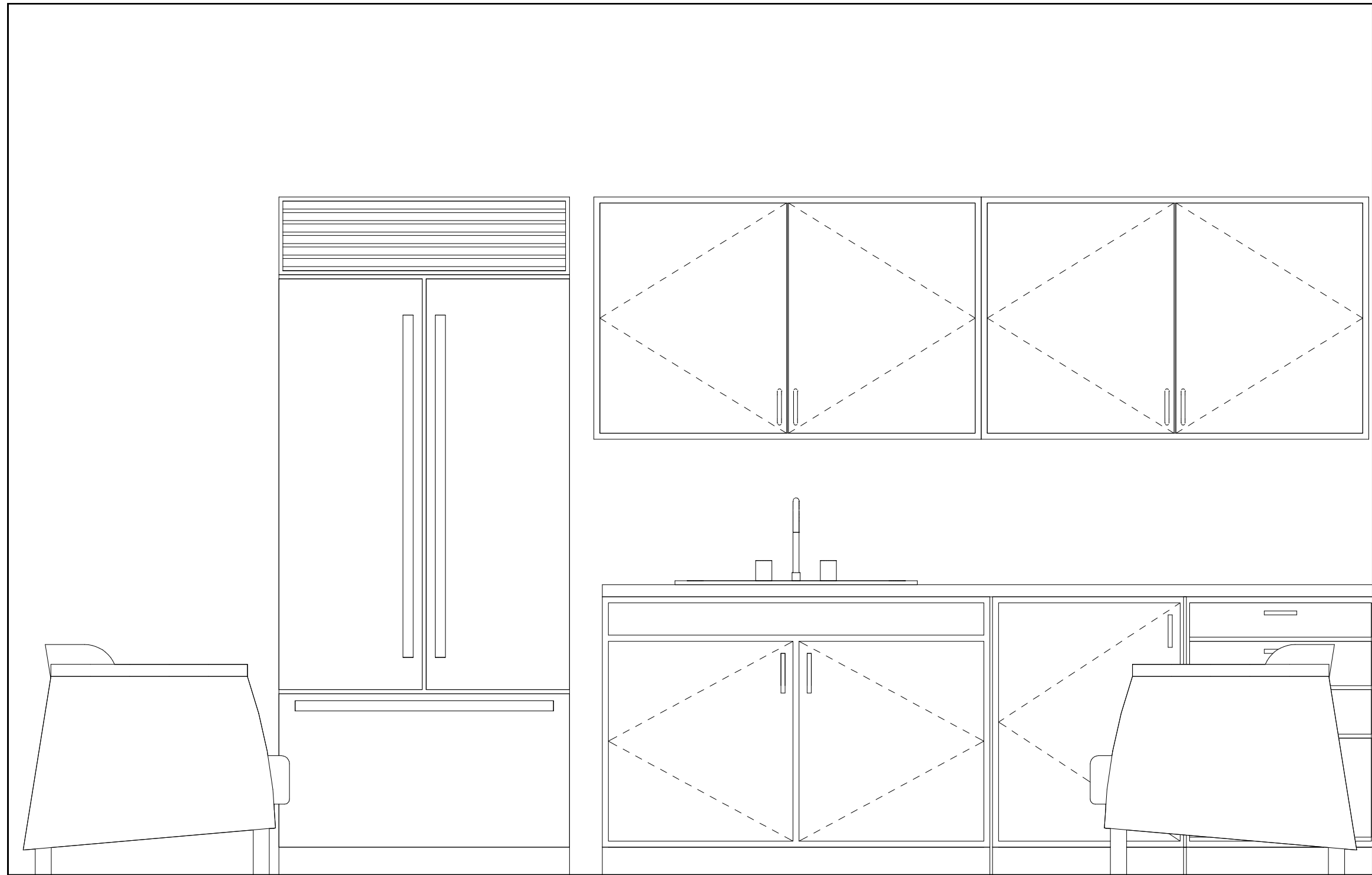
LEE COLLEGE

OFFICE BUILDING - LONGITUDINAL

DATE: 10/26/2020

NAME: MARSHALL MADISON TUNSTALL

SCALE: 3/32" = 1'-0"



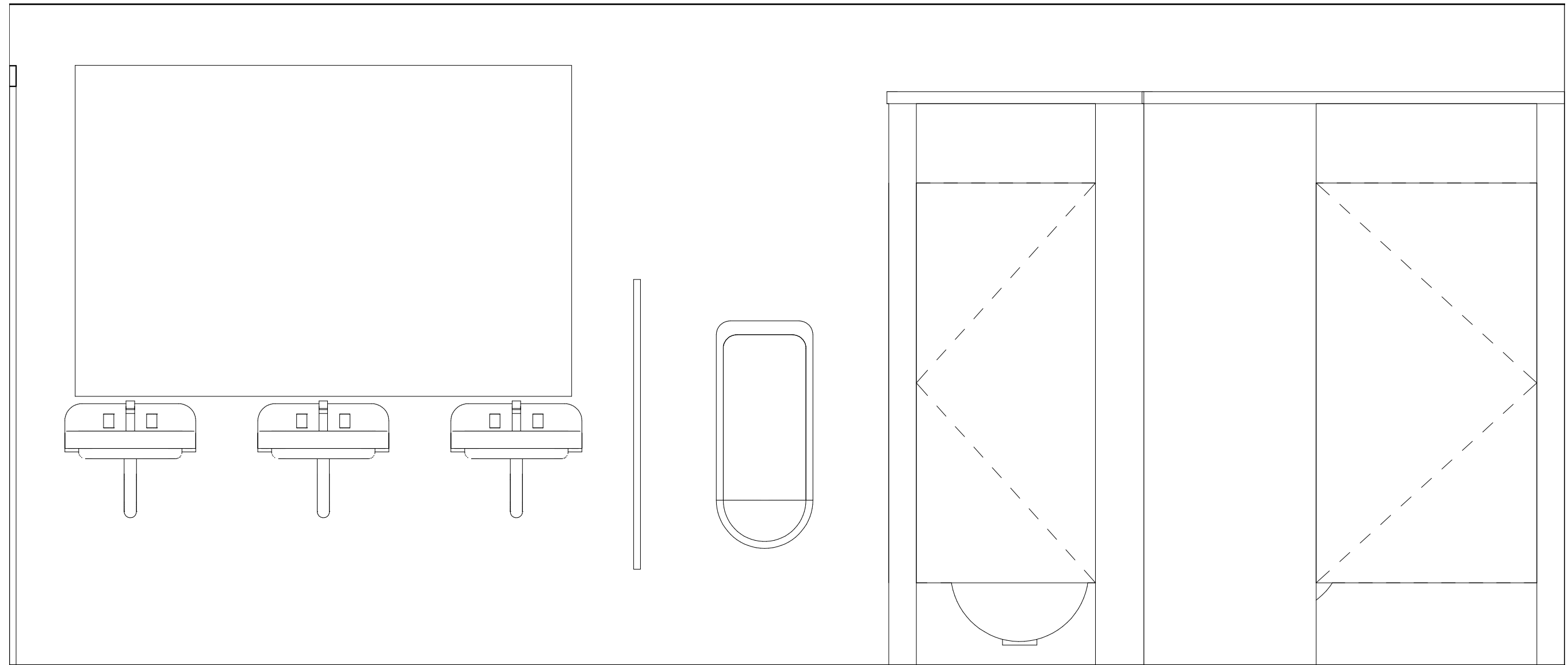
LEE COLLEGE

OFFICE BUILDING - BREAK ROOM

DATE: 10/26/2020

NAME: MARSHALL MADISON TUNSTALL

SCALE: 1:14



LEE COLLEGE

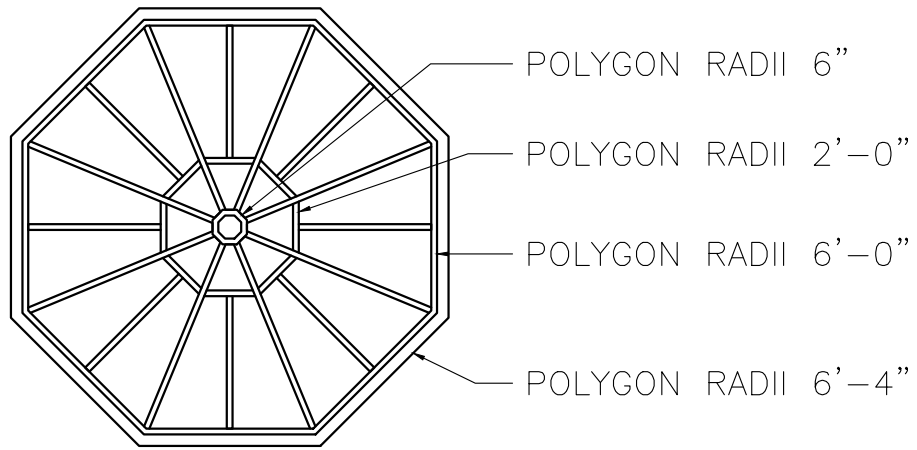
OFFICE BUILDING - RESTROOM

DATE: 10/26/2020

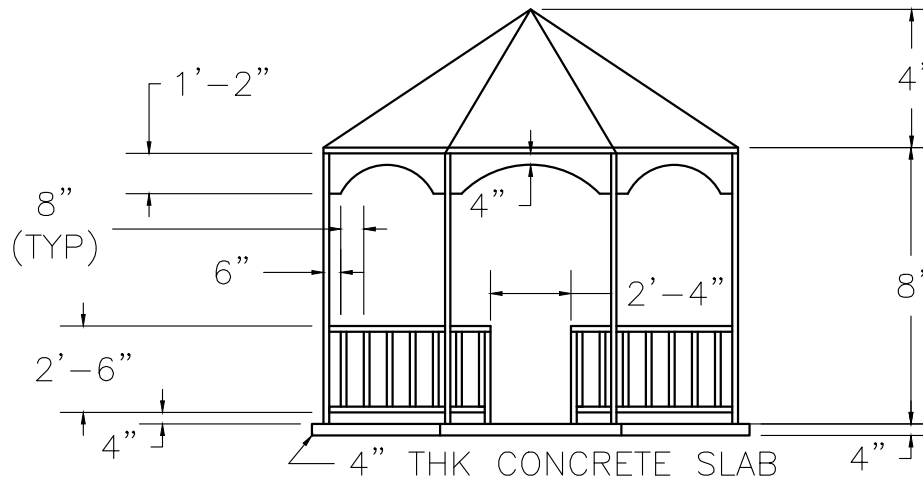
NAME: MARSHALL MADISON TUNSTALL

SCALE: 1:16

ALL LUMBER 2"X4"
UNLESS OTHERWISE NOTED



ROOF
FRAMING



FRONT ELEVATION

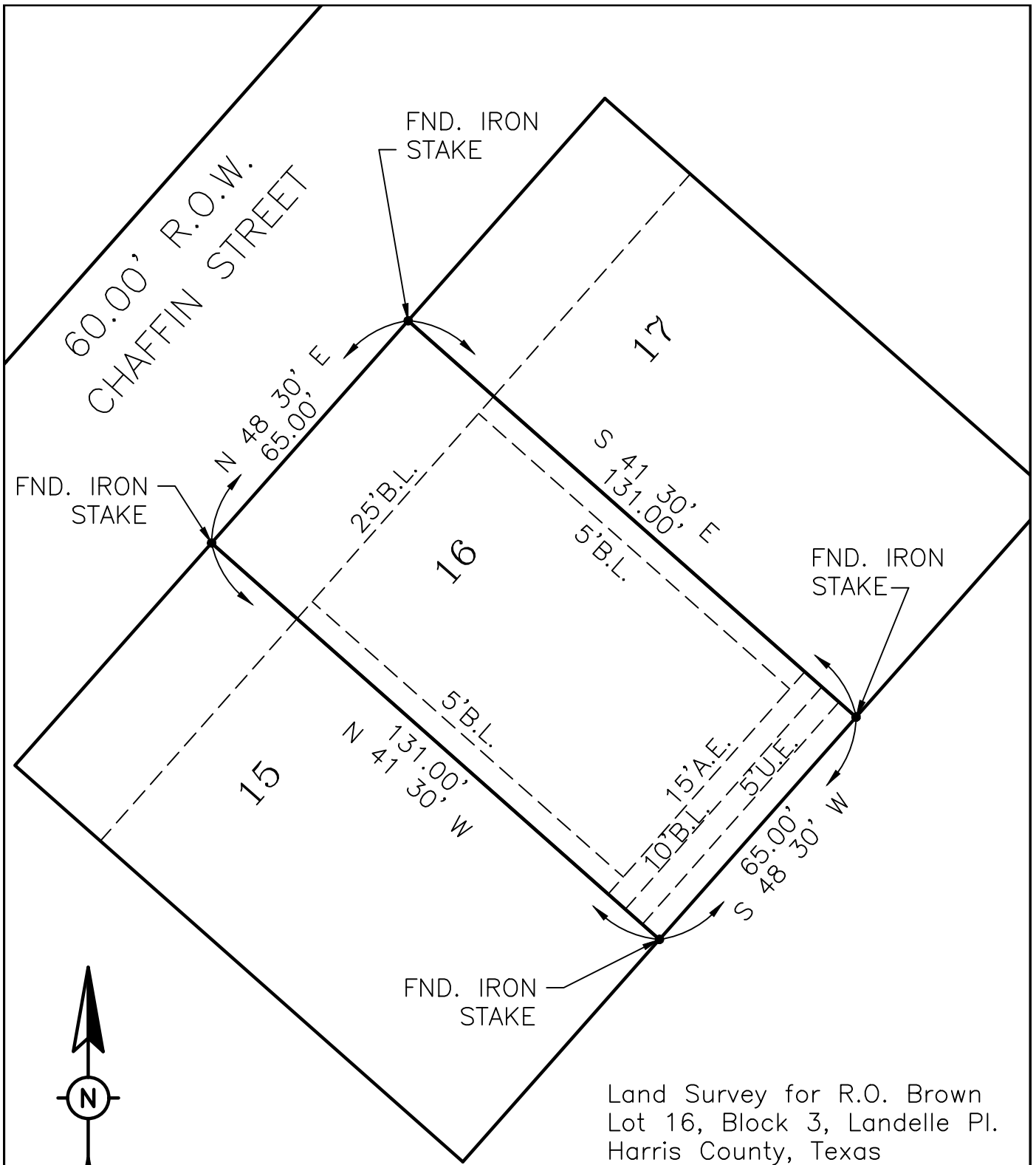
LEE COLLEGE

GAZEBO

DATE: 07/21/2020

NAME: MARSHALL M TUNSTALL

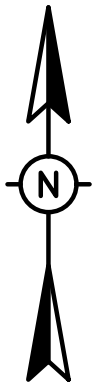
SCALE: 3/16"=1'-0"



Land Survey for R.O. Brown
 Lot 16, Block 3, Landelle Pl.
 Harris County, Texas

Feb. 22, 1957

Surveyor: J.R. Martin



LEE COLLEGE

CIVIL DRAWING

DATE: 09/01/2020

NAME: M. TUNSTALL

SCALE: 1"=30'